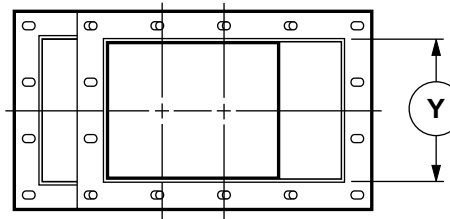
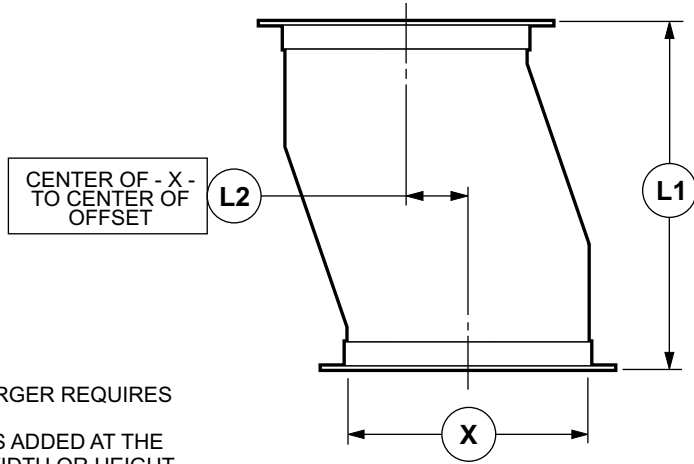


Horizontal Offset

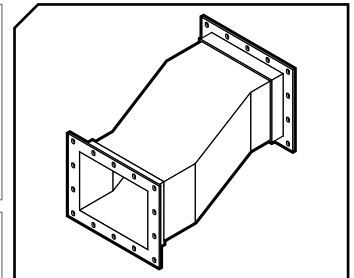


NOTES

- RAW END AVAILABLE.
- DUCT WIDTH OR HEIGHT OF 98" AND LARGER REQUIRES FAB-TECH ENGINEERING REVIEW.
- A CENTER STIFFENER (1" SCH40 PIPE) IS ADDED AT THE MIDPOINT OF THE FLANGE FOR DUCT WIDTH OR HEIGHT OF 50" AND GREATER.

FITTING NUMBER	QTY	- X - DUCT WIDTH	- Y - DUCT HEIGHT	- L1 - DUCT LENGTH	- L2 - HORIZONTAL OFFSET	REMARKS

REMARKS:



**COMPANY/
JOB REFERENCE**