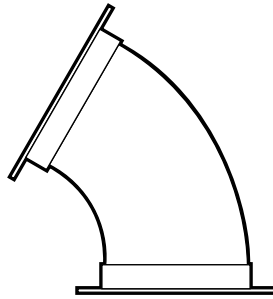
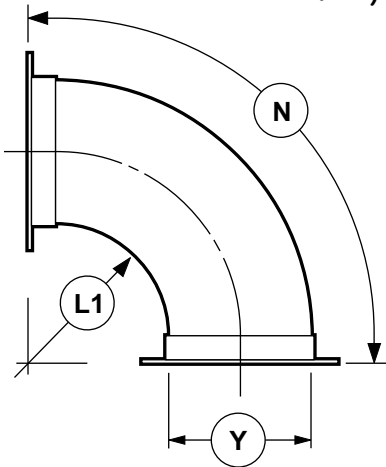
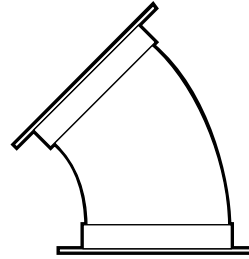


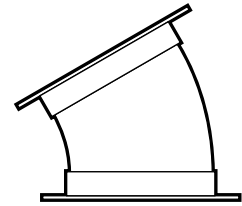
90°, 60°, 45°, 30° or Custom Elbow



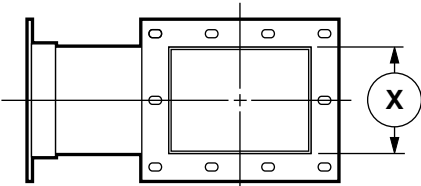
60° RADIAL ELBOW



45° RADIAL ELBOW



30° RADIAL ELBOW



90° RADIAL ELBOW

**NOTES**

- RAW END AVAILABLE.
- DUCT WIDTH OR HEIGHT OF 98" AND LARGER REQUIRES FAB-TECH ENGINEERING REVIEW.
- A CENTER STIFFENER (1" SCH40 PIPE) IS ADDED AT THE MIDPOINT OF THE FLANGE FOR DUCT WIDTH OR HEIGHT OF 50" AND GREATER.

FITTING NUMBER	QTY	- Y - DUCT WIDTH	- X - DUCT HEIGHT	- N - ELBOW ANGLE	- N - CUSTOM ANGLE	- L1 - THROAT RADIUS	REMARKS
				<input type="checkbox"/> 90° <input type="checkbox"/> 45°			
				<input type="checkbox"/> 60° <input type="checkbox"/> 30°			
				<input type="checkbox"/> 90° <input type="checkbox"/> 45°			
				<input type="checkbox"/> 60° <input type="checkbox"/> 30°			
				<input type="checkbox"/> 90° <input type="checkbox"/> 45°			
				<input type="checkbox"/> 60° <input type="checkbox"/> 30°			
				<input type="checkbox"/> 90° <input type="checkbox"/> 45°			
				<input type="checkbox"/> 60° <input type="checkbox"/> 30°			
				<input type="checkbox"/> 90° <input type="checkbox"/> 45°			
				<input type="checkbox"/> 60° <input type="checkbox"/> 30°			
				<input type="checkbox"/> 90° <input type="checkbox"/> 45°			
				<input type="checkbox"/> 60° <input type="checkbox"/> 30°			

REMARKS:

COMPANY/  
JOB REFERENCE

