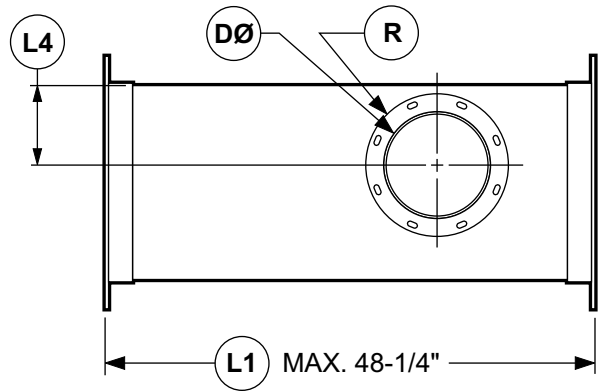
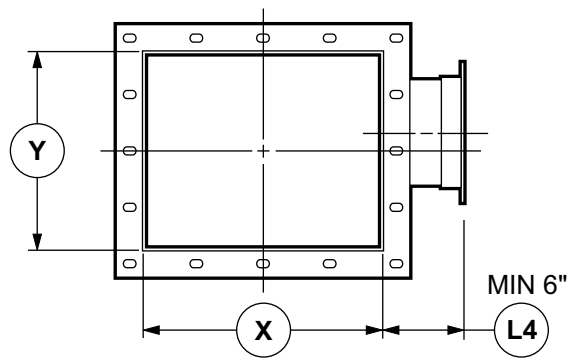
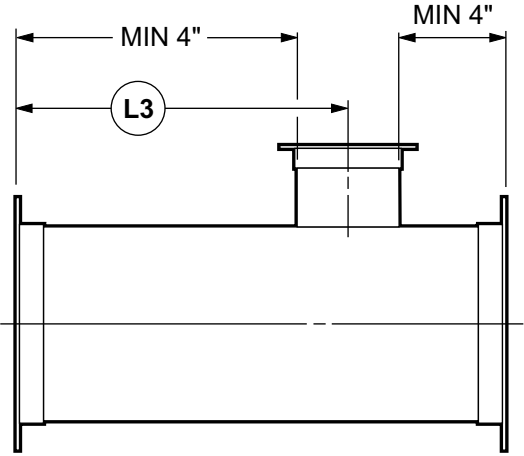


Straight Duct with Round Tap

- ROUND RING TYPES**
- EZ** EZ CLAMPS
(AVAILABLE 4" - 14")
 - BC** BLACK IRON CAST RINGS
(AVAILABLE 4" - 12")
 - SC** STEEL CAST RINGS
(AVAILABLE 4" - 12")
 - BI** BLACK IRON ANGLE RINGS
(AVAILABLE 14" - 48")
 - SS** STAINLESS ANGLE RINGS
(AVAILABLE 14" - 120")

- OPTIONS**
- CUSTOM LENGTHS AVAILABLE
 - RAW END AVAILABLE
 - DUCT WIDTH OR HEIGHT OF 98" AND LARGER REQUIRES FAB-TECH ENGINEERING REVIEW AND APPROVAL
 - A CENTER STIFFENER (1" SCH40 PIPE) IS ADDED AT THE MIDPOINT OF THE FLANGE FOR DUCT WIDTH OR HEIGHT OF 50" AND GREATER

LONGER THAN STANDARD LENGTHS AND/OR HIGHER SYSTEM PRESSURES MAY REQUIRE ADDITIONAL STIFFENERS PER SMACNA, CONTACT FAB-TECH FOR SPECIFIC GUIDELINES.



FITTING NUMBER	QTY	DUCT SPECIFICATIONS			TAP SPECIFICATIONS				
		-X- DUCT WIDTH	-Y- DUCT HEIGHT	-L1- DUCT LENGTH	"DØ" TAP DIA.	"R" TAP RING TYPE	-L2- TAP LENGTH	-L3- LOCATE TAP FROM END	-L4- LOCATE TAP FROM TOP

REMARKS:

COMPANY/ JOB REFERENCE

