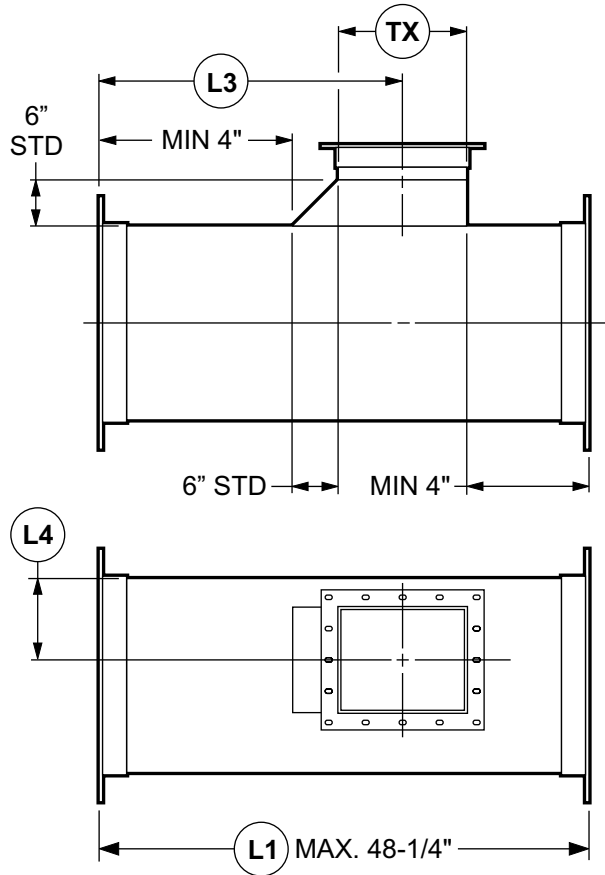
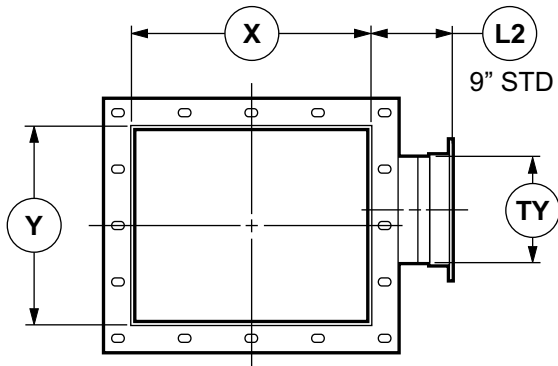


Straight Duct with Rectangular Boot Tap

OPTIONS

- CUSTOM LENGTHS AVAILABLE
- RAW END AVAILABLE
- DUCT WIDTH OR HEIGHT OF 98" AND LARGER REQUIRES FAB-TECH ENGINEERING REVIEW AND APPROVAL
- A CENTER STIFFENER (1" SCH40 PIPE) IS ADDED AT THE MIDPOINT OF THE FLANGE FOR DUCT WIDTH OR HEIGHT OF 50" AND GREATER

LONGER THAN STANDARD LENGTHS AND/OR HIGHER SYSTEM PRESSURES MAY REQUIRE ADDITIONAL STIFFENERS PER SMACNA, CONTACT FAB-TECH FOR SPECIFIC GUIDELINES.



FITTING NUMBER	QTY	DUCT SPECIFICATIONS			TAP SPECIFICATIONS				
		- X - DUCT WIDTH	- Y - DUCT HEIGHT	- L1 - DUCT LENGTH	- TX - TAP WIDTH	- TY - TAP HEIGHT	- L2 - TAP LENGTH	- L3 - LOCATE TAP FROM END	- L4 - LOCATE TAP FROM TOP

REMARKS:

**COMPANY/
JOB REFERENCE**

