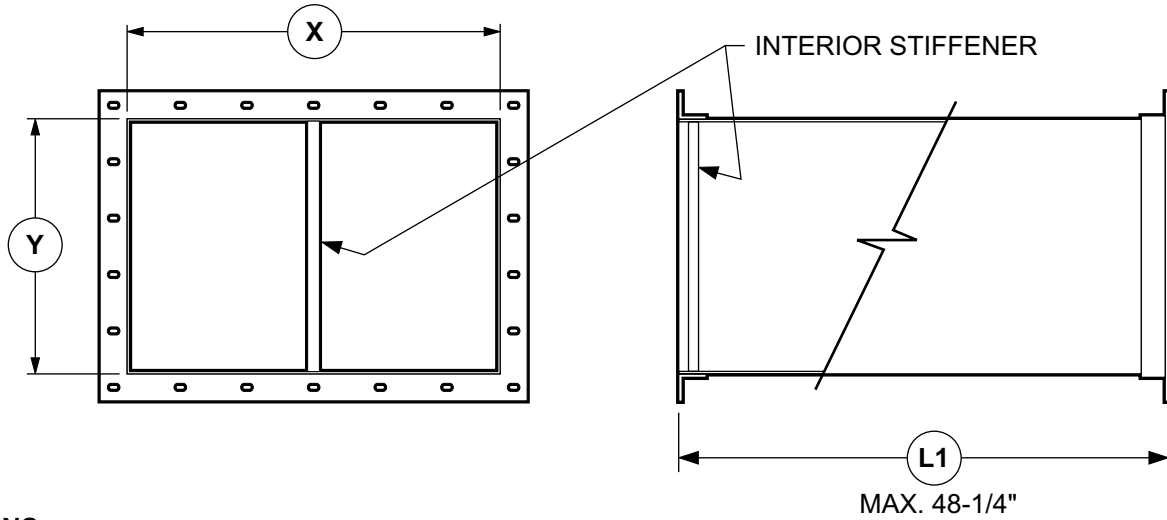


Straight Duct



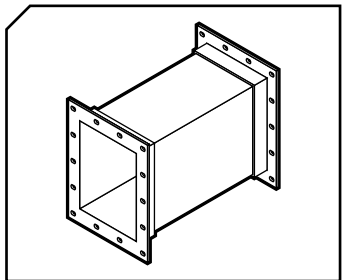
OPTIONS

- CUSTOM LENGTHS AVAILABLE
- RAW END AVAILABLE
- DUCT WIDTH OR HEIGHT OF 98" AND LARGER REQUIRES FAB-TECH ENGINEERING REVIEW AND APPROVAL
- A CENTER STIFFENER (1" SCH40 PIPE) IS ADDED AT THE MIDPOINT OF THE FLANGE FOR DUCT WIDTH OR HEIGHT OF 50" AND GREATER

LONGER THAN STANDARD LENGTHS AND/OR HIGHER SYSTEM PRESSURES MAY REQUIRE ADDITIONAL STIFFENERS PER SMACNA, CONTACT FAB-TECH FOR SPECIFIC GUIDELINES.

FITTING NUMBER	QTY	-X- DUCT WIDTH	-Y- DUCT HEIGHT	-L1- DUCT LENGTH	REMARKS

REMARKS:



**COMPANY/
JOB REFERENCE**