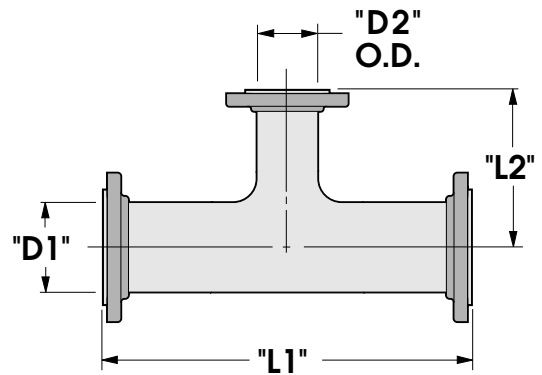
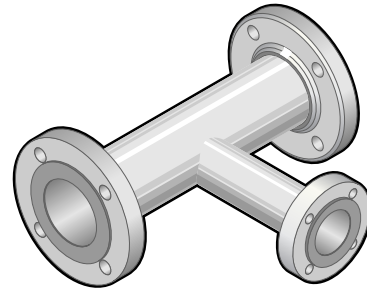


Reducing Tee

SPECIFICATIONS:

- Schedule 10 stainless steel substrate for strength and light weight
- Proprietary fluoropolymer coating integrally bonded to interior surfaces for unparalleled corrosion resistance
- Gore-Tex[®] PTFE gasket for superior joint seals
- Straight pipe manufactured with floating flanges, all other fittings manufactured with fixed flanges, mounting holes straddle vertical centerline - floating flanges for fittings available on request
- Handles wide range of pressures from full vacuum to 150 psi
- Handles wide range of temperatures from -150°F (-66°C) to 300°F* (149°C)
- Available in standard sizes 2" (50mm) thru 12" (300mm) diameter, straight lengths up to 10 feet
- Full compliment of reducers, tees, branches, elbows and custom manifolds for any system design up to 24" (600mm) diameter
- Fab-Tech can adapt to flanges in existing systems for easy connection



DESCRIPTION	"D1"	"L1"	"D2"	"L2"
3" TO 2" DIA REDUCING TEE	3"	11"	2"	5-1/2"
4" TO 2" DIA REDUCING TEE	3"	13"	2"	6-1/2"
4" TO 3" DIA REDUCING TEE	4"	13"	3"	6-1/2"
6" TO 2" DIA REDUCING TEE	6"	16"	2"	8"
6" TO 3" DIA REDUCING TEE	8"	16"	3"	8"
6" TO 4" DIA REDUCING TEE	10"	16"	4"	8"
8" TO 3" DIA REDUCING TEE	12"	18"	3"	9"
8" TO 4" DIA REDUCING TEE	12"	18"	4"	9"
8" TO 6" DIA REDUCING TEE	12"	18"	6"	9"
10" TO 6" DIA REDUCING TEE	12"	22"	6"	11"
10" TO 8" DIA REDUCING TEE	12"	22"	8"	11"
12" TO 4" DIA REDUCING TEE	12"	24"	4"	12"
12" TO 6" DIA REDUCING TEE	12"	24"	6"	12"
12" TO 8" DIA REDUCING TEE	12"	24"	8"	12"
12" TO 10" DIA REDUCING TEE	12"	24"	10"	12"

- ALL DIMENSIONS IN INCHES
- CUSTOM PIPE LENGTHS LESS THAN 10' AVAILABLE ON REQUEST
- CHEMICAL AND TEMPERATURE RESISTANCE DATA OF THE FLUOROPOLYMER COATING USED EXCLUSIVELY ON PSP[®] PRODUCTS IS AVAILABLE FROM FAB-TECH.

Custom fittings available up to 24" diameter on request.