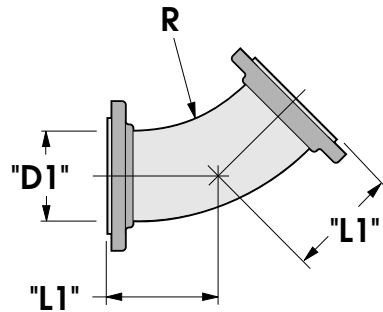
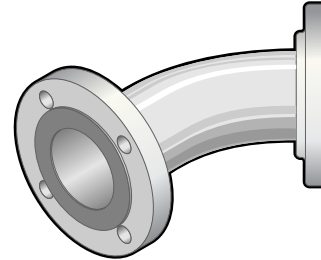


45° Elbow

SPECIFICATIONS:

- Schedule 10 stainless steel substrate for strength and light weight
- Proprietary fluoropolymer coating integrally bonded to interior surfaces for unparalleled corrosion resistance
- Gore-Tex[®] PTFE gasket for superior joint seals
- Straight pipe manufactured with floating flanges, all other fittings manufactured with fixed flanges, mounting holes straddle vertical centerline - floating flanges for fittings available on request
- Handles wide range of pressures from full vacuum to 150 psi
- Handles wide range of temperatures from -150°F (-66°C) to 300°F* (149°C)
- Available in standard sizes 2" (50mm) thru 12" (300mm) diameter, straight lengths up to 10 feet
- Full compliment of reducers, tees, branches, elbows and custom manifolds for any system design up to 24" (600mm) diameter
- Fab-Tech can adapt to flanges in existing systems for easy connection



DESCRIPTION	"D1"	"L1"
2" DIAMETER 45° ELBOW	2"	2-1/2"
3" DIAMETER 45° ELBOW	3"	3"
4" DIAMETER 45° ELBOW	4"	4"
6" DIAMETER 45° ELBOW	6"	5"
8" DIAMETER 45° ELBOW	8"	5-1/2"
10" DIAMETER 45° ELBOW	10"	6-1/2"
12" DIAMETER 45° ELBOW	12"	7-1/2"

- ALL DIMENSIONS IN INCHES
- CUSTOM PIPE LENGTHS LESS THAN 10' AVAILABLE ON REQUEST
- CHEMICAL AND TEMPERATURE RESISTANCE DATA OF THE FLUOROPOLYMER COATING USED EXCLUSIVELY ON PSP[®] PRODUCTS IS AVAILABLE FROM FAB-TECH.

Custom fittings available up to 24" diameter on request.