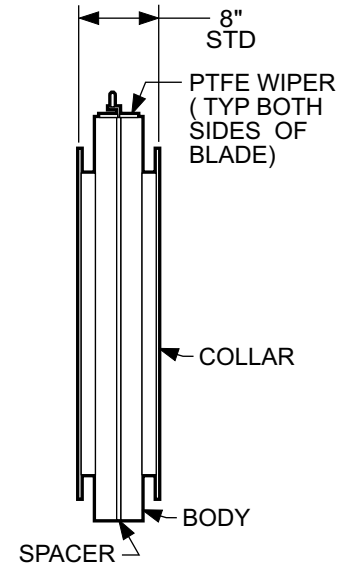
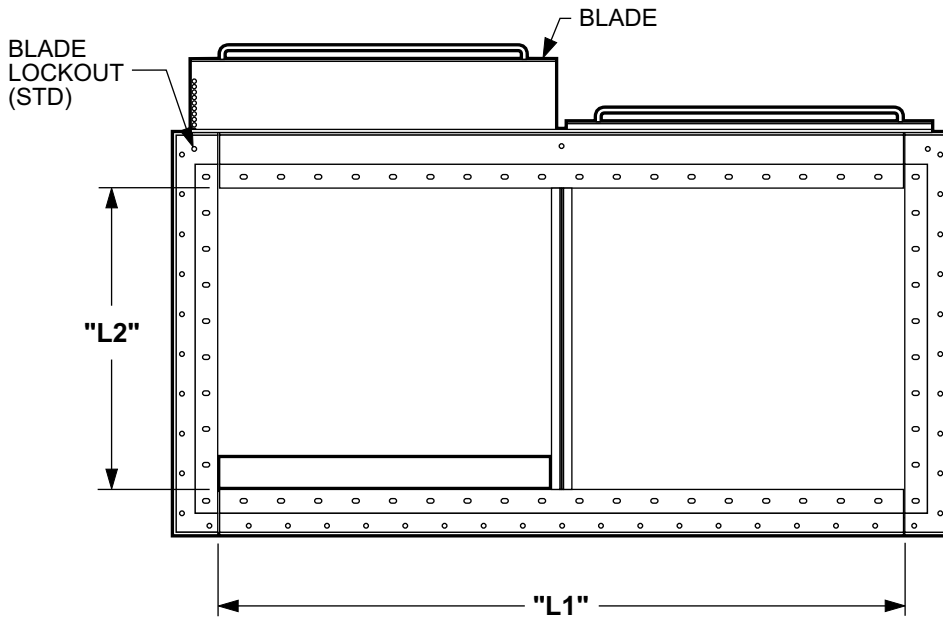


**Horizontal Blastgate**



CENTER SUPPORT REQUIRED FOR  
BLADES LONGER THAN 36" ("L1")

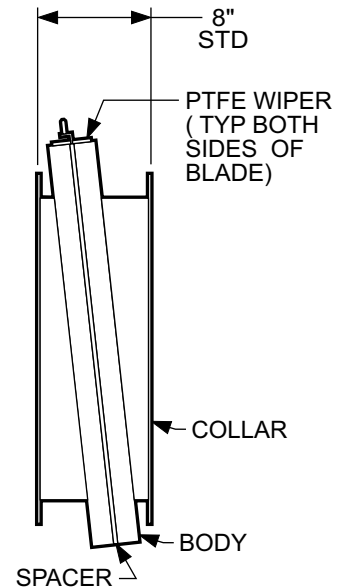
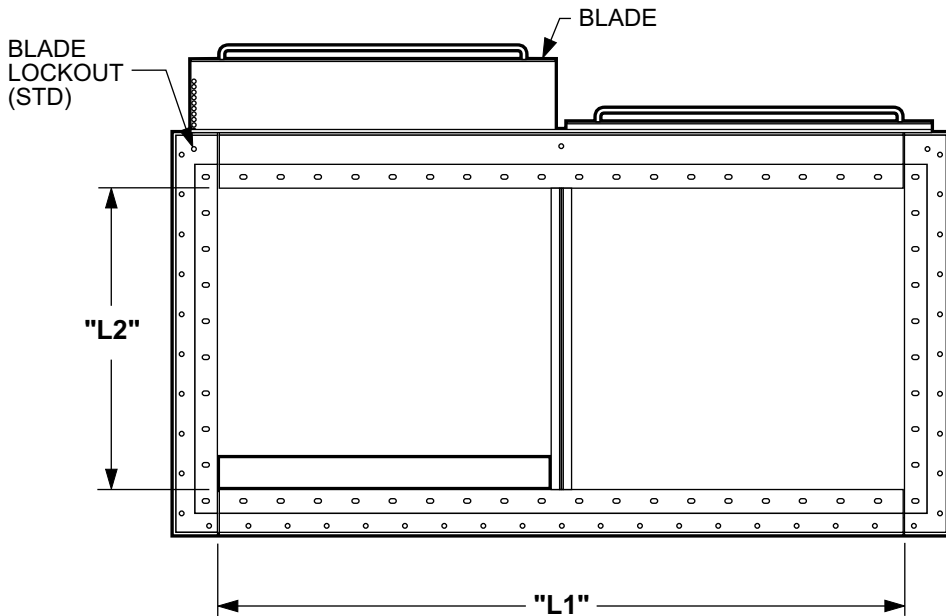
**SPECIFICATIONS**

- Stainless steel body, rings and blades.
- Blade lockout system.

**OPTIONS**

- Pin-Lock Pin ( Keyed MASTERLOCK® body sold separately )

**Vertical Blastgate**



CENTER SUPPORT REQUIRED FOR  
BLADES LONGER THAN 36" ("L1")

**SPECIFICATIONS**

- Stainless steel body, rings and blades.
- Blade lockout system.

**OPTIONS**

- Pin-Lock Pin ( Keyed MASTERLOCK® body sold separately )