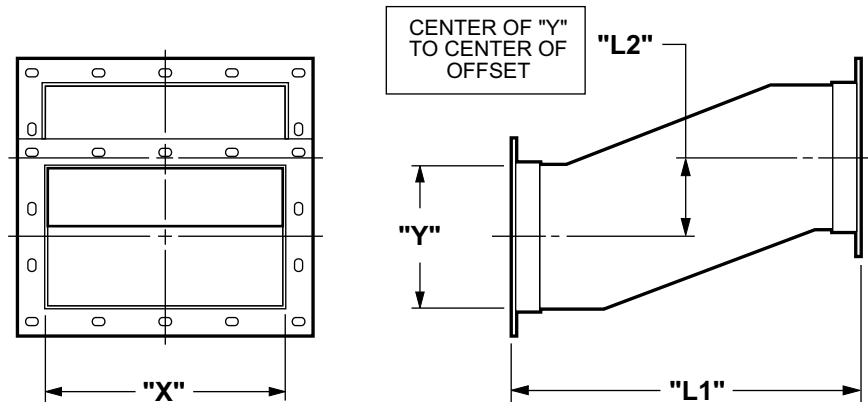


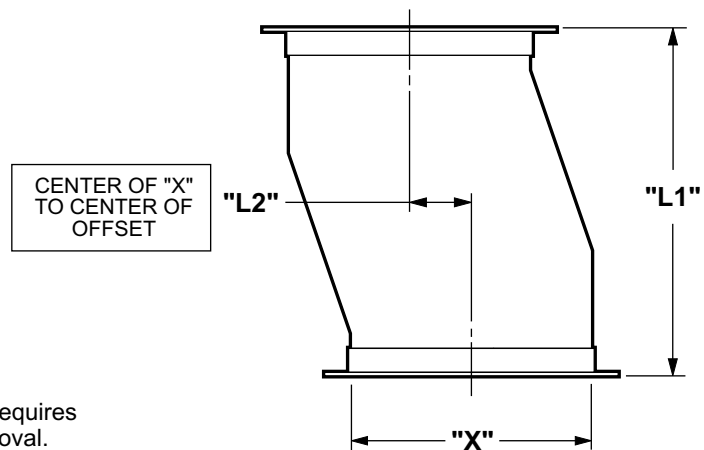
Vertical Offset



OPTIONS

- Raw end available.
- Duct width or height of 98" and larger requires Fab-Tech engineering review and approval.
- A center stiffener (1" SCH40 pipe) is added at the midpoint of the flange for duct width or height of 50" and greater.

Horizontal Offset



OPTIONS

- Raw end available.
- Duct width or height of 98" and larger requires Fab-Tech engineering review and approval.
- A center stiffener (1" SCH40 pipe) is added at the midpoint of the flange for duct width or height of 50" and greater.

