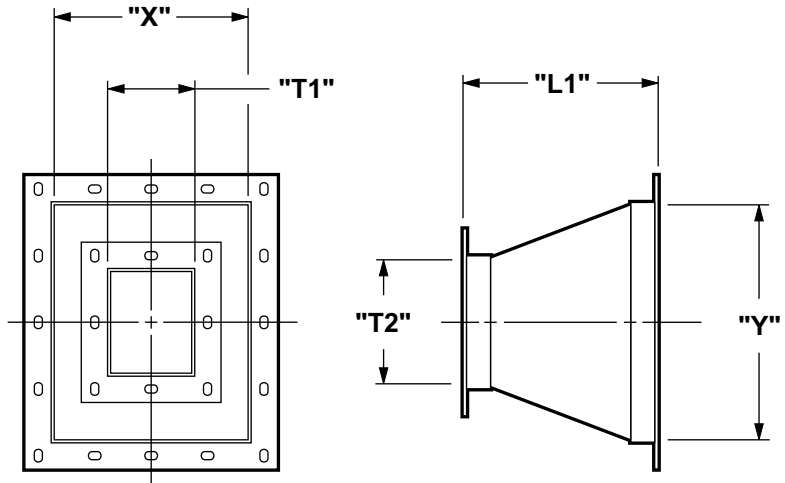


Concentric Transition

FOR ECCENTRIC RECTANGULAR TO RECTANGULAR FITTING, USE THE CUSTOM FITTING ORDER SHEET.



OPTIONS

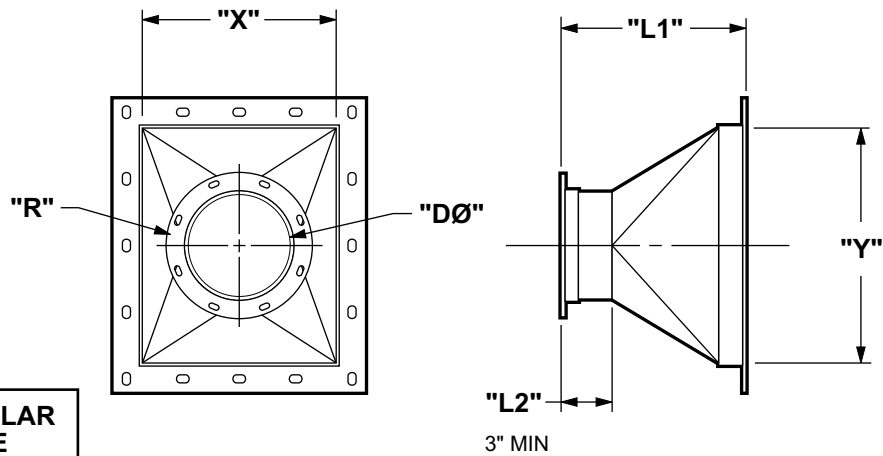
- Raw end available.
- Duct width or height of 98" and larger requires Fab-Tech engineering review and approval.
- A center stiffener (1" SCH40 pipe) is added at the midpoint of the flange for duct width or height of 50" and greater.

Concentric Rectangular to Round Transition

ROUND RING TYPES

- EZ** EZ CLAMPS (AVAILABLE 4" - 14")
- SC** STAINLESS CAST RINGS (AVAILABLE 4" - 14")
- BI** BLACK IRON ANGLE RINGS (AVAILABLE 4" - 94")
- SS** STAINLESS ANGLE RINGS (AVAILABLE 16" - 120")

FOR ECCENTRIC RECTANGULAR TO ROUND FITTING, USE THE CUSTOM FITTING ORDER SHEET.



OPTIONS

- Raw end available.
- Duct width or height of 98" and larger requires Fab-Tech engineering review and approval.
- A center stiffener (1" SCH40 pipe) is added at the midpoint of the flange for duct width or height of 50" and greater.