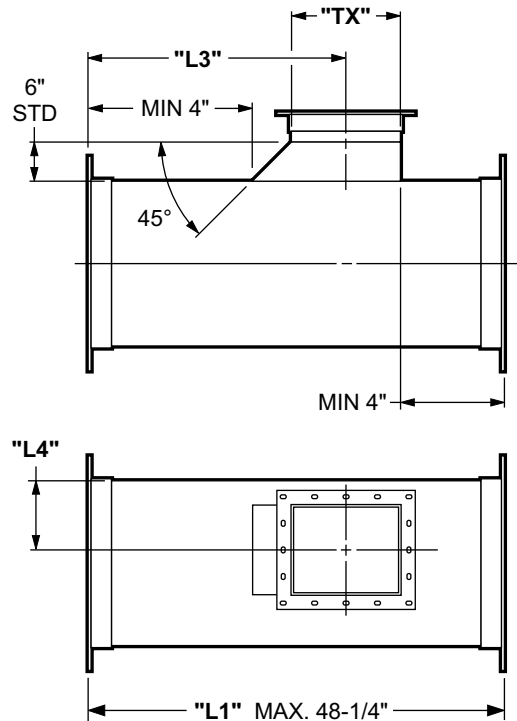
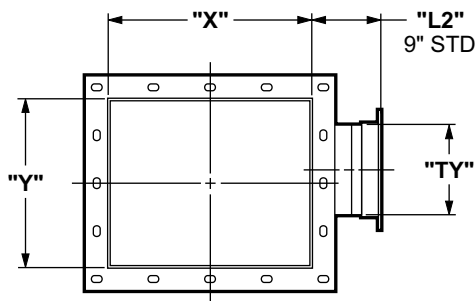


Straight Duct with Rectangular Boot Tap

OPTIONS

- Custom lengths available.
- Raw end available.
- Duct width or height of 98" and larger requires Fab-Tech engineering review and approval.
- A center stiffener (1" SCH40 pipe) is added at the midpoint of the flange for duct width or height of 50" and greater.

LONGER THAN STANDARD LENGTHS AND/OR HIGHER SYSTEM PRESSURES MAY REQUIRE ADDITIONAL STIFFENERS PER SMACNA, CONTACT FAB-TECH FOR SPECIFIC GUIDELINES.



Straight Duct with Rectangular Conical Tap

OPTIONS

- Custom lengths available.
- Raw end available.
- Duct width or height of 98" and larger requires Fab-Tech engineering review and approval.
- A center stiffener (1" SCH40 pipe) is added at the midpoint of the flange for duct width or height of 50" and greater.

LONGER THAN STANDARD LENGTHS AND/OR HIGHER SYSTEM PRESSURES MAY REQUIRE ADDITIONAL STIFFENERS PER SMACNA, CONTACT FAB-TECH FOR SPECIFIC GUIDELINES.

