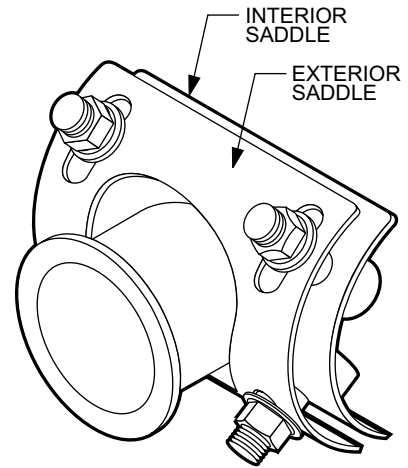


Field Installed Fab-Tech Flange Saddle Tap

NOTES

- Refer to Fab-Tech's INSTALLATION AND ASSEMBLY GUIDE for assembly instructions.
- PermaShield fluoropolymer barrier coating on inside surfaces and flange face.
- Fab-Tech's field installed PSP® saddle tap will allow a new 2" diameter branch to be installed in a 6" and larger diameter duct or a new 3" diameter branch to be installed in an 8" and larger diameter duct without shutting down the exhaust system.



PART NO.*	DESCRIPTION	"D1"	"D2"
PZQ02	2" EZ-TAP	2"	6" MIN
PZQ03	3" EZ-TAP	3"	8" MIN

