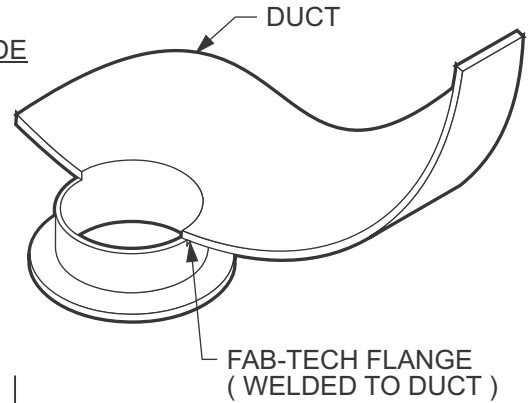


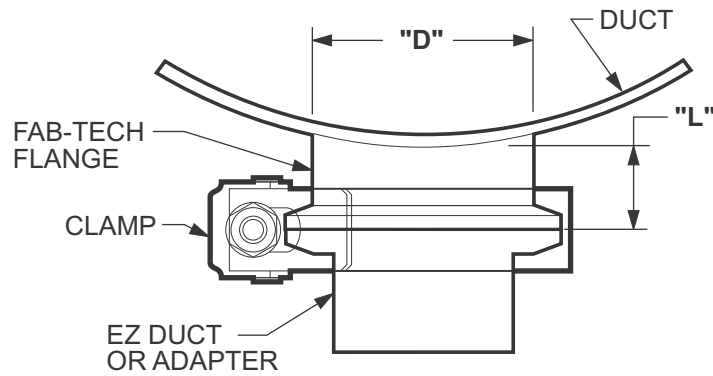
Fab-Tech Flange

NOTES

- Refer to Fab-Tech's INSTALLATION AND ASSEMBLY GUIDE for assembly instructions.
- PermaShield fluoropolymer barrier coating on inside surface and flange faces.
- Fab-Tech Flange / Test Port may be installed on fittings other than straight duct.
- Refer to the EZ fittings section for duct or the Fab-Tech Flange system section for adapters to attach to the Fab-Tech Flange.



PART NO.	DESCRIPTION	"D"	"L"
FTFL2	2" FT FLANGE	2"	.75"
FTFL3	3" FT FLANGE	3"	.75"



ADAPTERS AVAILABLE FOR THE FT FLANGE:

