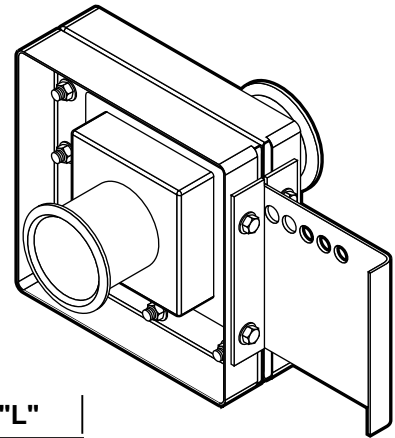


**EZ Blastgate**

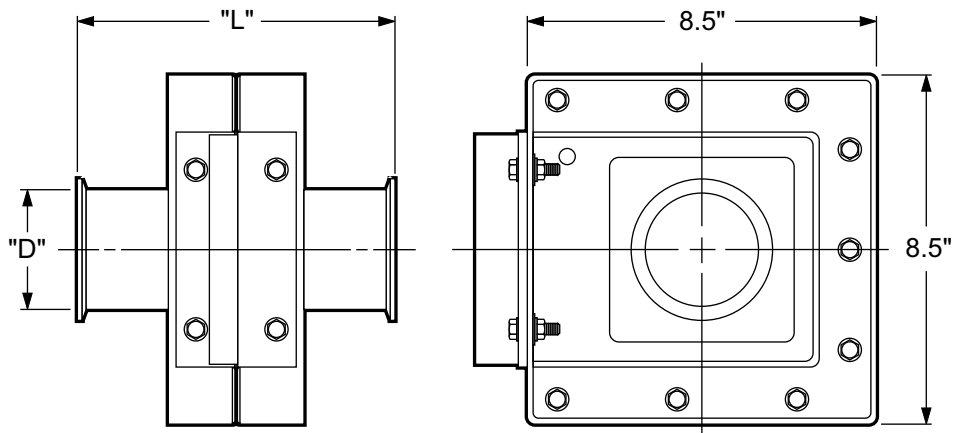


**SPECIFICATIONS**

- Stainless steel frame material.
- Blade lockout system.

PART NO.*	DESCRIPTION	"D"	"L"
<b>PZB02H</b>	2" EZ-BLASTGATE HORIZONTAL	2"	8.000"
<b>PZB03H</b>	3" EZ-BLASTGATE HORIZONTAL	3"	8.000"

\*PART NO. INCLUDES: ( 1 ) CLAMP & ( 1 ) GASKET



PART NO.*	DESCRIPTION	"D"	"L"
<b>PZB02V</b>	2" EZ-BLASTGATE VERTICAL	2"	8.000"
<b>PZB03V</b>	3" EZ-BLASTGATE VERTICAL	3"	8.000"

\*PART NO. INCLUDES: ( 1 ) CLAMP & ( 1 ) GASKET

