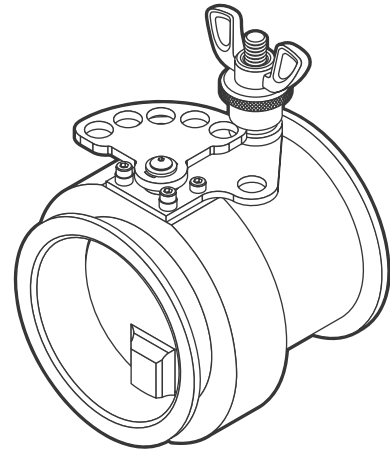


Micro-Adjustable EZ Damper

PART NO.*	DESCRIPTION	"D"	"L"
PZD02	2" EZ-DAMPER	2"	3.875"
PZD03	3" EZ-DAMPER	3"	3.875"

\*PART NO. INCLUDES: ( 1 ) CLAMP & ( 1 ) GASKET



OPTIONS

- PIN-LOCK PIN ( KEYPED MASTERLOCK® BODY SOLD SEPARATELY )

