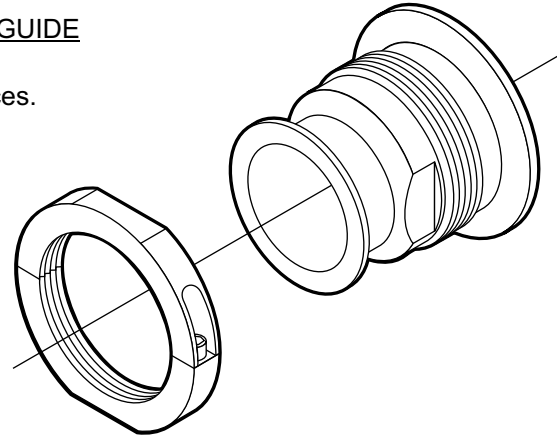


## Field Installed 2" Fab-Tech Flange

## NOTES

- Refer to Fab-Tech's INSTALLATION AND ASSEMBLY GUIDE for assembly instructions.
- Fluoropolymer coating on inside surface and flange faces.
- Requires Hydraulic Punch & Swage Kit (TPSO2) to install - check accessories section.
- Requires disassembly of duct to install this fitting.



PART NO.*	DESCRIPTION	"D"	"L1"	HOST DUCT DIAMETER
FTFL2FI	2" FIELD FLANGE	2"	1.69"	10" DIAMETER MINIMUM

\*PART NO. INCLUDES: ( 1 ) GASKET

