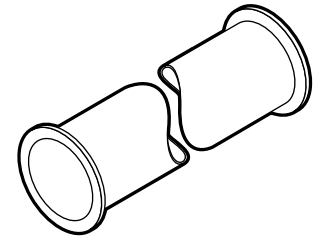
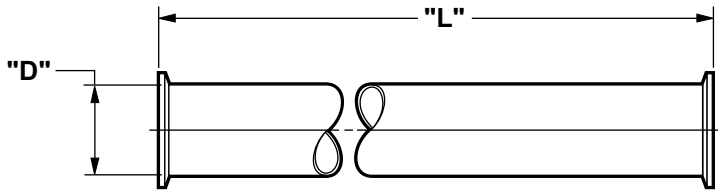


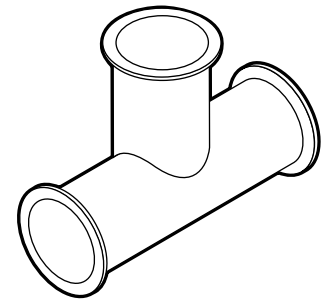
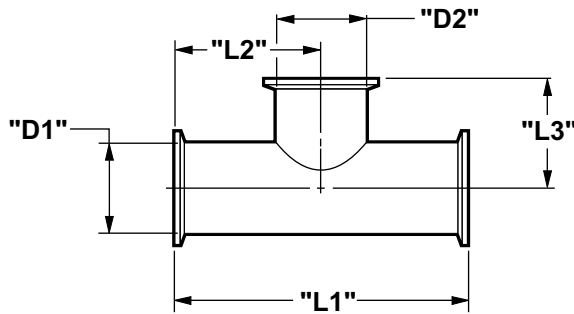
EZ Straight



PART NO.*	DESCRIPTION	"D"	"L"
PZP02	2" LINE	2"	47.25"
PZS02	2" LINE CUSTOM LENGTH	2"	CUSTOM
PZP03	3" LINE	3"	47.25"
PZS03	3" LINE CUSTOM LENGTH	3"	CUSTOM

*PART NO. INCLUDES: (1) CLAMP & (1) GASKET

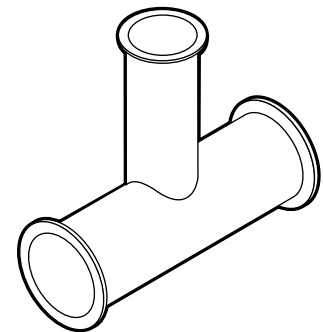
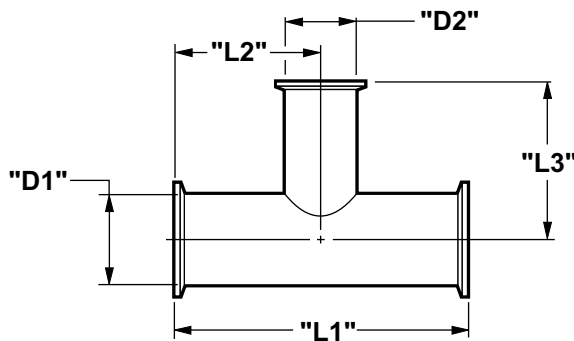
EZ Tee



PART NO.*	DESCRIPTION	"D1"	"D2"	"L1"	"L2"	"L3"
02T02	2" LINE WITH 2" TEE	2"	2"	6.24"	3.12"	3.12"
03T03	3" LINE WITH 3" TEE	3"	3"	6.74"	3.37"	3.37"

*PART NO. INCLUDES: (2) "D1" CLAMPS, (1) "D2" CLAMP & (3) GASKETS

EZ Reducing Tee



PART NO.*	DESCRIPTION	"D1"	"D2"	"L1"	"L2"	"L3"
03T02	3" LINE WITH 2" TEE	3"	2"	6.74"	3.37"	3.62"

*PART NO. INCLUDES: (2) "D1" CLAMPS, (1) "D2" CLAMP & (3) GASKETS