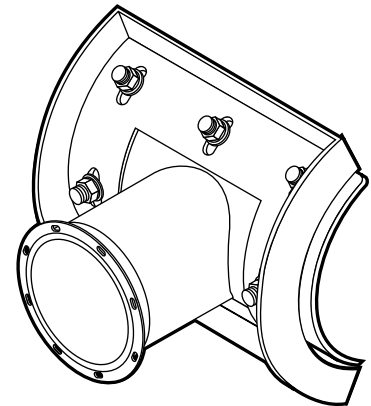


Field Installed Saddle Tap

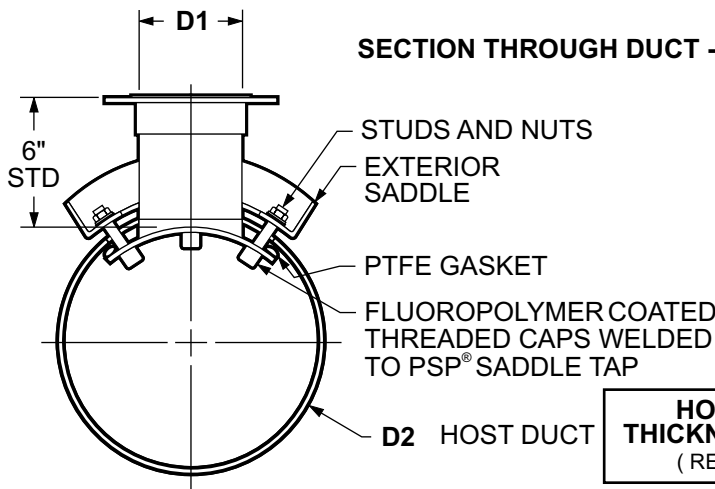
NOTES

- Refer to Fab-Tech's INSTALLATION AND ASSEMBLY GUIDE for assembly instructions.
- Straight tap standard - other tap styles available with engineering review and approval.
- Fab-Tech's PSP[®] saddle tap will allow a new branch to be installed without shutting down the exhaust system.

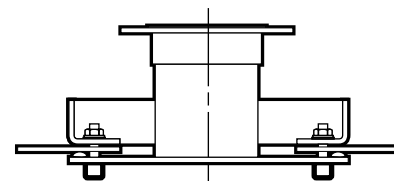


WITH JOINT SYSTEM

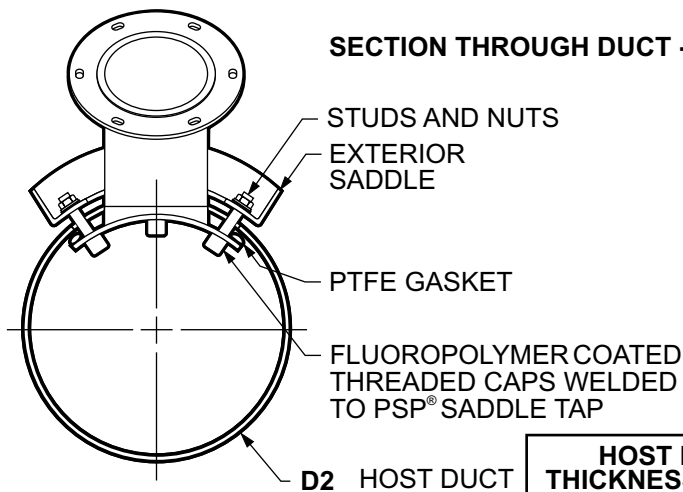
SS CAST RING	4" - 14"
BI ANGLE RING	4" - 94"
SS ANGLE RING	16" - 120"



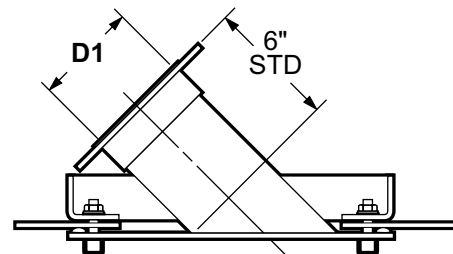
SECTION THROUGH DUCT - STRAIGHT TAP



HOST DUCT I.D., WALL THICKNESS & MATERIAL TYPE
(REQUIRED INFORMATION)



SECTION THROUGH DUCT - LATERAL TAP



HOST DUCT I.D., WALL THICKNESS & MATERIAL TYPE
(REQUIRED INFORMATION)