

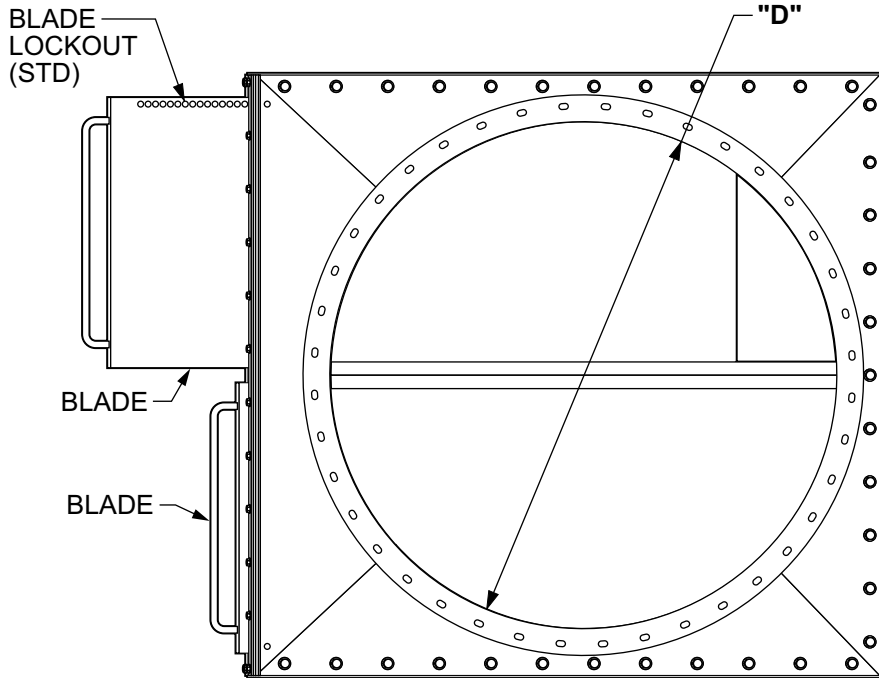
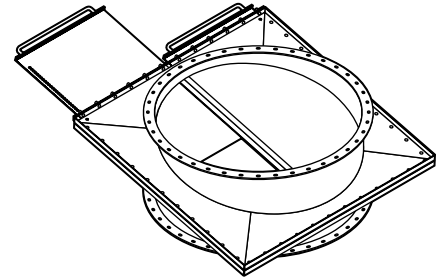
38" & Larger Vertical Run Isolation Blastgate

SPECIFICATIONS

- Stainless steel body, rings and blade.
- Blade lockout system.
- Vertical run blastgates greater than 84" require engineering review and approval.

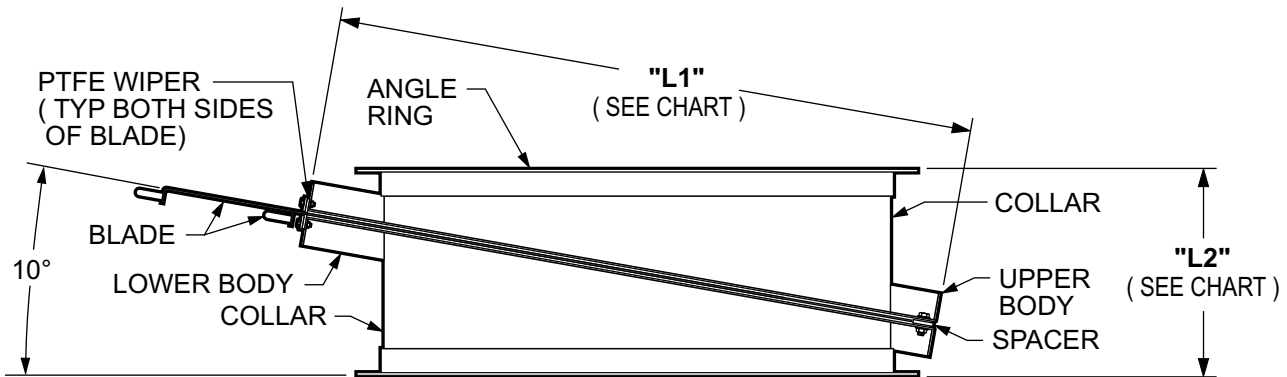
OPTIONS

- Pin-Lock Pin (Keyed MASTERLOCK[®] body sold separately)



WITH JOINT SYSTEM

BI ANGLE RING	38" - 94"
SS ANGLE RING	38" - 120"



DUCT DIA. "D"	OUTSIDE DIM "L1"	BODY	BLADE	COLLAR	BODY BOLTS	NO. OF BLADES	BLADE ANGLE	LENGTH "L2"
38" TO 46"	DIA. "D" + 7"	10GA	14GA	14GA	.31"	2	10°	16"
48" TO 70"	DIA. "D" + 8"	10GA	12GA	14GA	.38"	2	10°	24"
72" TO 84"	DIA. "D" + 8"	10GA	12GA	14GA	.38"	3	10°	24"