

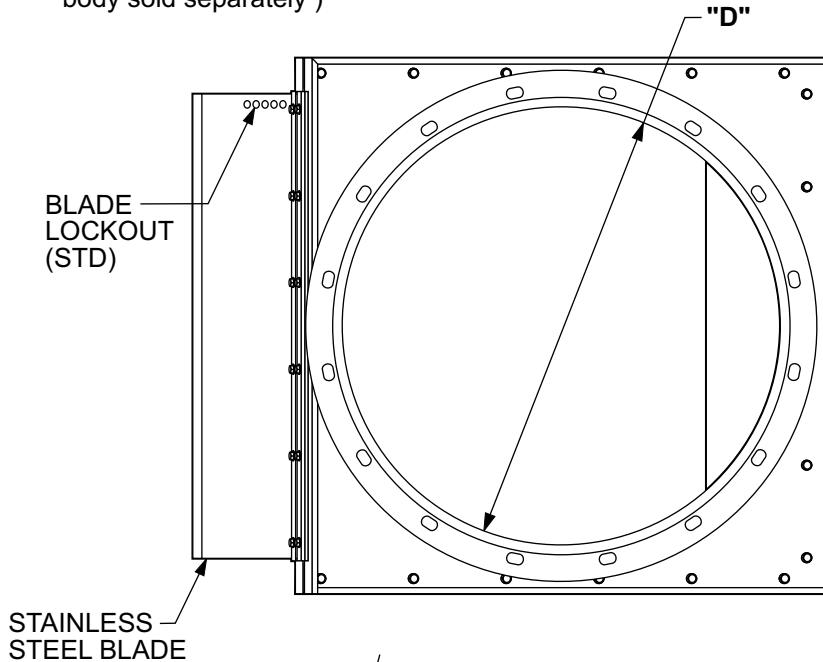
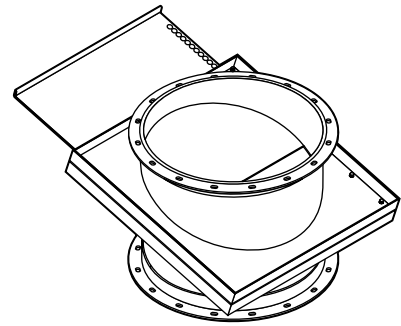
**4"-36" Vertical Run Isolation Blastgate**

**SPECIFICATIONS**

- Stainless steel frame material.
- Blade lockout system.

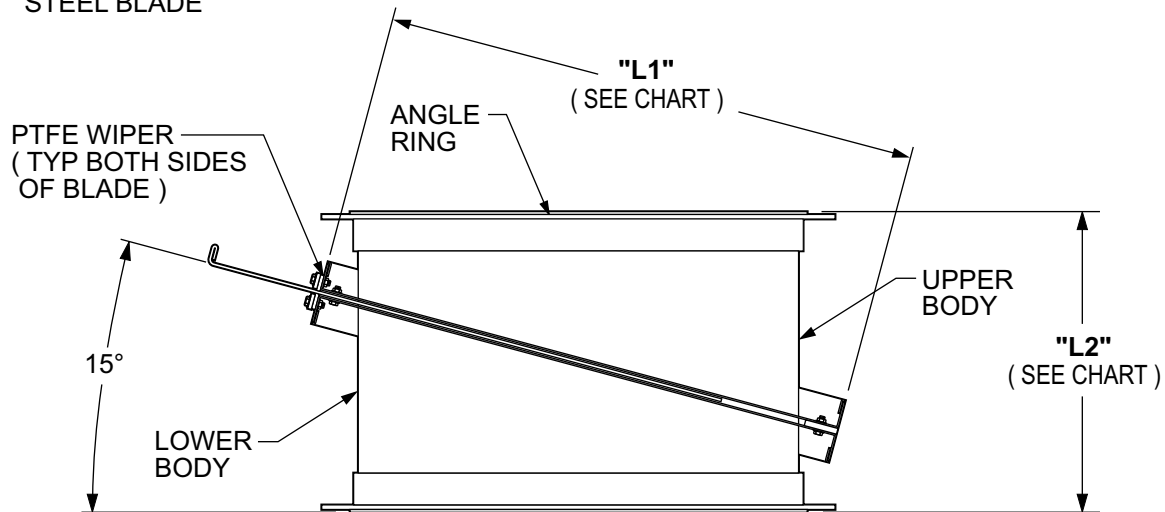
**OPTIONS**

- Pin-Lock Pin ( Keyed MASTERLOCK<sup>®</sup> body sold separately )



**WITH JOINT SYSTEM**

EZ CLAMP	4" - 14"
SS CAST RING	4" - 14"
BI ANGLE RING	4" - 36"
SS ANGLE RING	16" - 36"



DUCT DIA. "D"	OUTSIDE DIM "L1"	BODY	BLADE	FRAME BOLTS	NO. OF BLADES	BLADE ANGLE	LENGTH "L2"
4" TO 8"	DIA. "D" + 4"	18GA	18GA	.31"	1	15°	8"
10" TO 16"	DIA. "D" + 4"	18GA	18GA	.31"	1	15°	12"
18" TO 36"	DIA. "D" + 4.5"	16GA	16GA	.31"	1	15°	16"