

**4"-36" Horizontal Run Isolation Blastgate**

**SPECIFICATIONS**

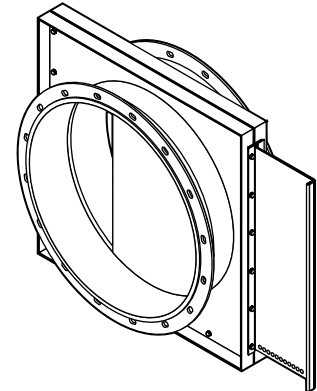
- Stainless steel frame material.
- Blade lockout system.

**OPTIONS**

- Pin-Lock Pin ( Keyed MASTERLOCK<sup>®</sup> body sold separately )

**WITH JOINT SYSTEM**

EZ CLAMP	4" - 14"
SS CAST RING	4" - 14"
BI ANGLE RING	4" - 36"
SS ANGLE RING	16" - 36"



DUCT DIA. "D"	OUTSIDE DIM "L1"	BODY	BLADE	BODY BOLTS	NO. OF BLADES
4" TO 16"	DIA. "D" + 4"	18GA	18GA	.31"	1
18" TO 36"	DIA. "D" + 4.5"	16GA	16GA	.31"	1

