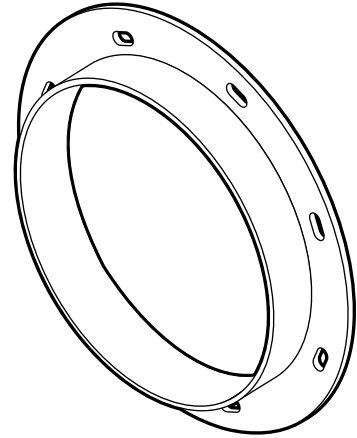


Angle Ring



DUCT DIA D ₁ "	ANGLE RING SPECIFICATIONS						DUCT DIA D ₂ "
	WIDTH (W)	THICKNESS (T)	# HOLES	BOLT HOLE SIZE	BOLT SIZE	BOLT CIRCLE DIA.	
14	1-1/2	3/16	12	7/16 x 11/16 SLOT	3/8	15.81	14
16			16			17.63	16
18			18			19.63	18
20			20			21.63	20
22			22			23.88	22
24			24			25.88	24
26			26			27.88	26
28			28			29.88	28
30			30			31.88	30
32			32			33.88	32
34	2	3/16	34	35.88	34		
36			36	37.88	36		
38			38	40.38	38		
40			40	42.38	40		
42			42	44.38	42		
44			44	46.38	44		
46			46	48.38	46		
48			48	50.38	48		
50			2-1/2	3/16	50	52.88	50
52					52	54.88	52
54	54	56.88			54		
56	56	58.88			56		
58	58	60.88			58		
60	60	63.38			60		
62	62	65.38			62		
64	64	67.38			64		
66	66	69.38			66		
68	68	71.38			68		
70	3	1/4	70	73.38	70		
72			72	75.38	72		
74			74	77.38	74		
76			76	79.38	76		
78			78	81.38	78		
80			80	83.38	80		
82			82	85.38	82		
84			84	87.38	84		
86			86	89.38	86		
88			88	91.38	88		
90	4	1/4	90	93.38	90		
92			92	95.38	92		
94			94	97.38	94		
96			96	100.38	96		
98			98	102.38	98		
100			100	104.38	100		
102			102	106.38	102		
104			104	108.38	104		
106			106	110.38	106		
108			108	112.38	108		
110	110	114.38	110				
112	112	116.38	112				
114	114	118.38	114				
116	116	120.38	116				
118	118	122.38	118				
120	120	124.38	120				

NOTES:

- Standard mounting hole locations for welded (fixed) angle rings straddle the vertical centerline unless otherwise specified.
- Refer to chart for standard angle rings.

OPTIONS:

- Custom hole pattern and orientation available.

