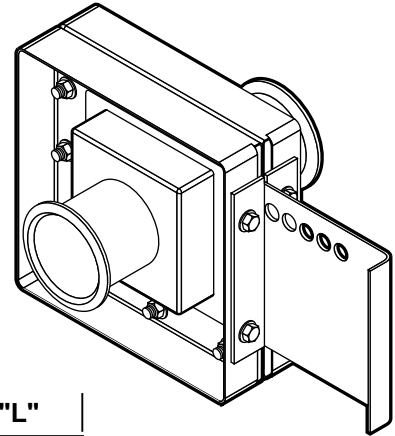


2" & 3" EZ Blastgate

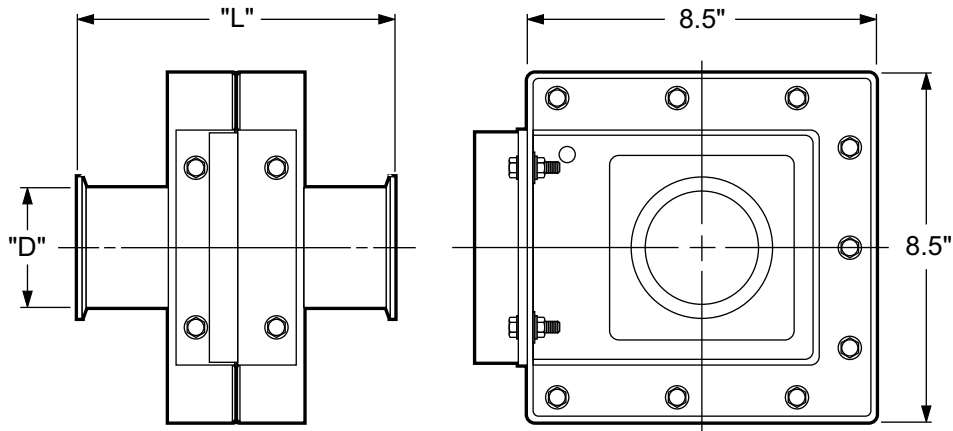


SPECIFICATIONS

- Stainless steel frame material.
- Blade lockout system.

PART NO.*	DESCRIPTION	"D"	"L"
PZB02H	2" EZ-BLASTGATE HORIZONTAL	2"	8.000"
PZB03H	3" EZ-BLASTGATE HORIZONTAL	3"	8.000"

*PART NO. INCLUDES: (1) CLAMP & (1) GASKET



PART NO.*	DESCRIPTION	"D"	"L"
PZB02V	2" EZ-BLASTGATE VERTICAL	2"	8.000"
PZB03V	3" EZ-BLASTGATE VERTICAL	3"	8.000"

*PART NO. INCLUDES: (1) CLAMP & (1) GASKET

