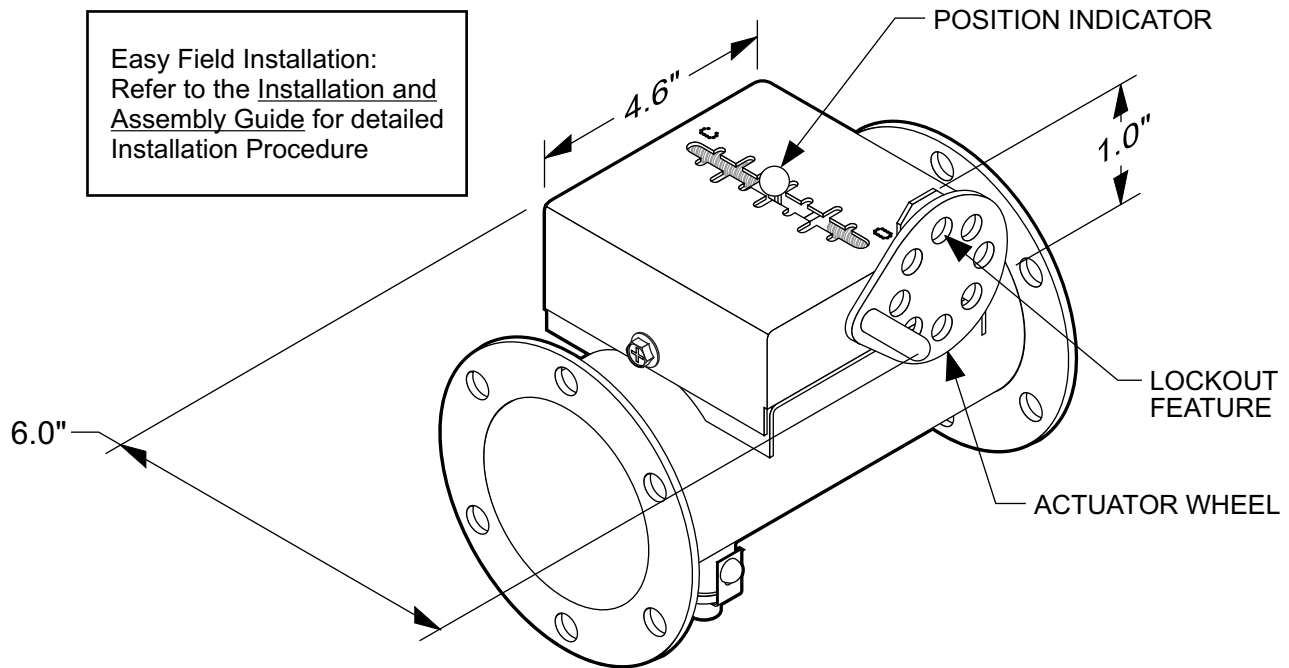


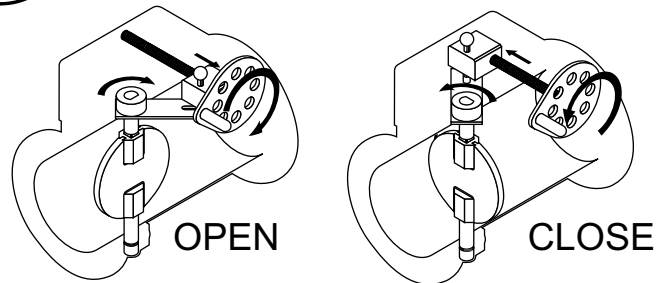
Micro Adjustable Damper Option

FOR 4"-14" INDUSTRIAL BALANCING & ISOLATION DAMPERS

Easy Field Installation:
Refer to the Installation and Assembly Guide for detailed Installation Procedure



PART NO.*	DESC.
MIC01	MICRO ADJUST OPTION



MICRO ADJUST ACTUATOR OPERATION

Damper / Blastgate Keyed Pin Lock Option

PART NO.*	DESC.
D3673	PIN-LOCK PIN OPTION

This custom pin is designed for use on all Fab-Tech dampers and blastgates.

