

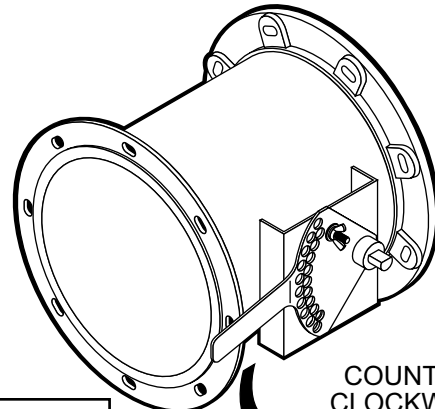
6"-14" Industrial Isolation Damper

SPECIFICATIONS

- Floating cast rings - stainless 6"-14"
- Floating rings - black iron 6"-14"
- PSP-EZ™ joining system 6"-14"
- Manual actuation
- Molded 25% glass filled PTFE blade holders
- Liquid tight axle seals
- Lockout feature - 5° intervals

OPTIONS

- Micro-adjust actuator
- Custom length
- Custom hole pattern
- Electric / pneumatic actuators
- Pin-Lock Pin (Keyed MASTERLOCK® body sold separately)



OPEN/CLOSE TORQUE: 250 in-lb
(RECOMMENDED MINIMUM)

WITH JOINT SYSTEM

EZ CLAMP	6" - 14"
SS CAST RING	6" - 14"
BI ANGLE RING	6" - 14"

DIAMETER	BLADE	BODY
6"-14"	10GA	20GA

