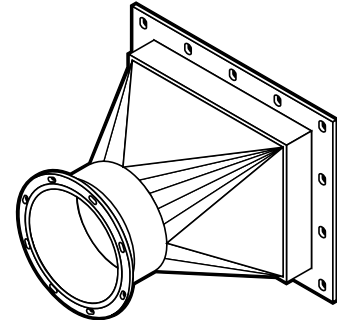


**Concentric Round to Rectangular Transition**

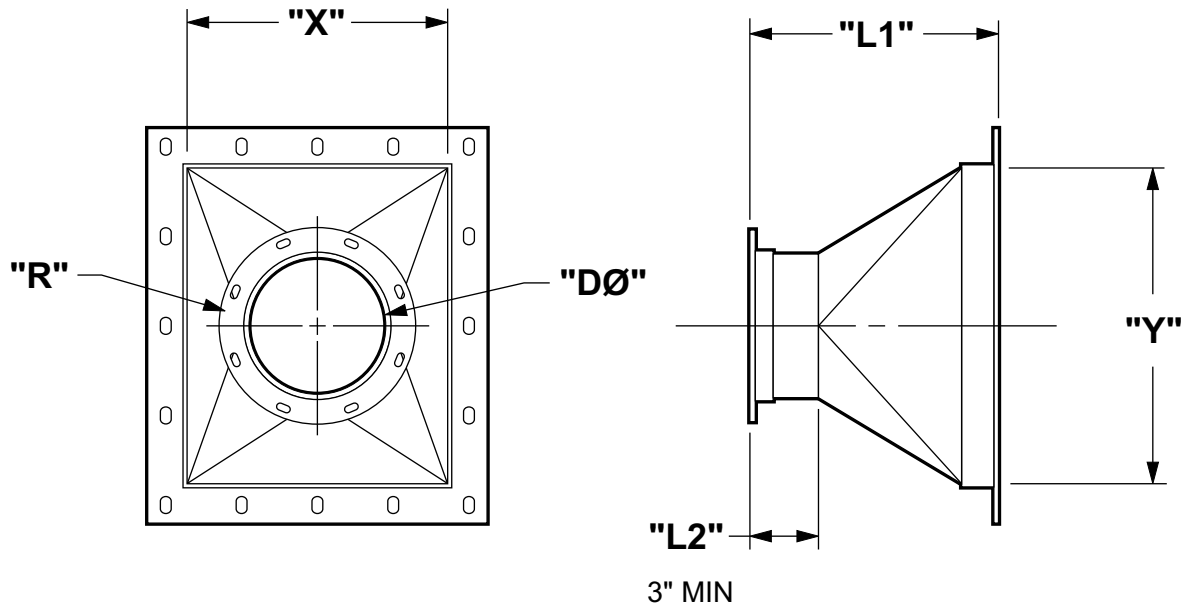
**WITH ROUND JOINT SYSTEM**

EZ CLAMP	4" - 14"
SS CAST RING	4" - 14"
BI ANGLE RING	4" - 94"
SS ANGLE RING	16" - 120"



**NOTES**

- Raw end available.
- Round duct greater than 84" diameter requires Fab-Tech Engineering review and approval.
- Rectangular duct width or height of 98" and larger requires Fab-Tech Engineering review.
- A center stiffener (1" SCH40 pipe ) is added at the midpoint of the flange for rectangular duct width or height of 50" and greater.



**FOR ECCENTRIC ROUND TO RECTANGULAR FITTING, USE THE CUSTOM FITTING ORDER SHEET.**