

Straight Duct with Multiple Taps

OPTIONS

- Custom lengths available.
- Raw end available.
- Duct greater than 84" diameter requires Fab-Tech Engineering review and approval.

*** MIN DISTANCE TO DUCT END**
 "D1" = 4" - 94": 4" MIN
 "D1" = 96" - 120": 5" MIN

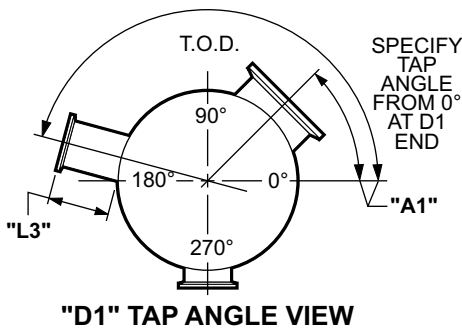
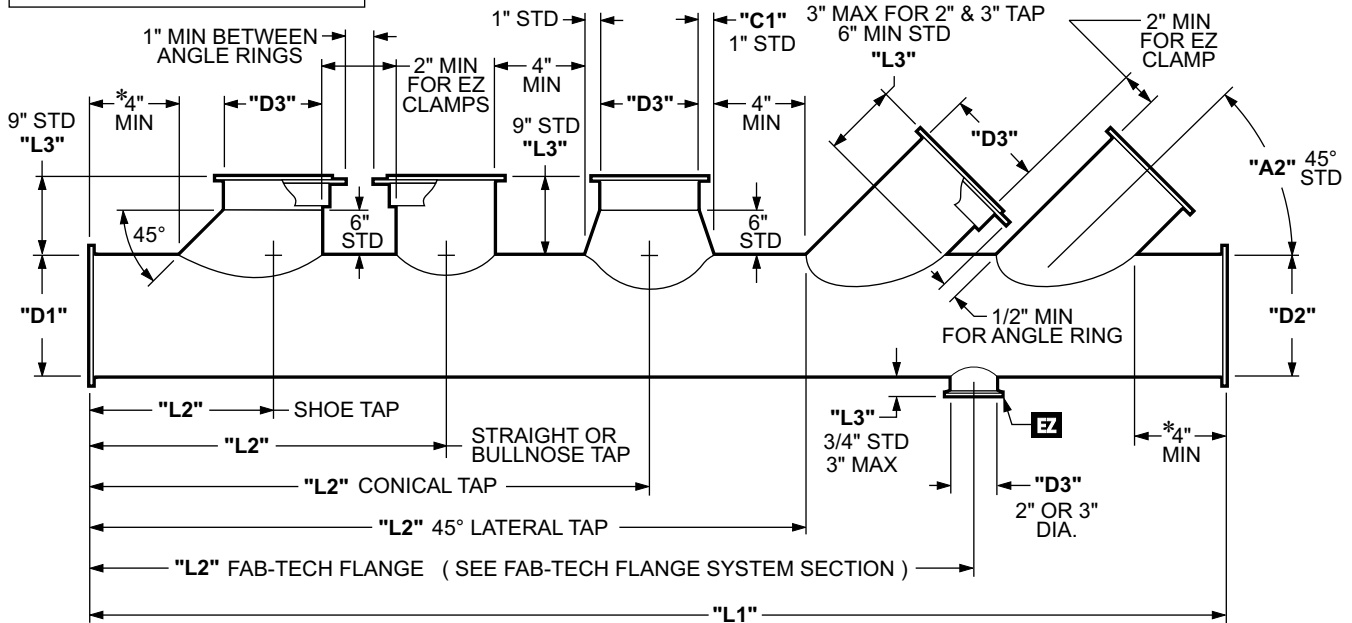
OUR RECOMMENDATION IS TO ADD TAPS TO STANDARD 4" AND 8" STRAIGHT DUCT WHEN POSSIBLE - TAP DIMENSIONS SHOWN ARE MINS

LONGER THAN STANDARD LENGTHS AND/OR HIGHER SYSTEM PRESSURES MAY REQUIRE ADDITIONAL STIFFENERS PER SMACNA, CONTACT FAB-TECH FOR SPECIFIC GUIDELINES.

WITH JOINT SYSTEM

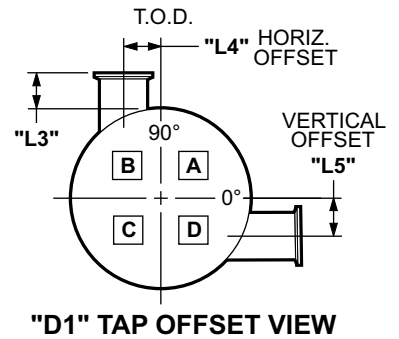
EZ CLAMP	4" - 14"
SS CAST RING	4" - 14"
BI ANGLE RING	4" - 94"
SS ANGLE RING	16" - 120"

OR A COMBINATION OF JOINING SYSTEMS



STANDARD DUCT LENGTHS ("L1")

JOINT SYSTEM	DIAMETER	"L1" (4')	"L1" (8')
EZ CLAMP / CAST RING	4" TO 14"	47.25"	
	8" TO 14"		95.25"
BLACK IRON ANGLE RING	4" TO 48"	47.25"	95.25"
	50" TO 94"	46.75"	94.75"
STAINLESS ANGLE RING	16" TO 48"	47.25"	95.25"
	50" TO 94"	46.75"	94.75"
	96" TO 120"	48.25"	96.25"



***STANDARD MINIMUMS FOR 45° LATERAL AND 90° STRAIGHT TAPS:**

