

## Straight Duct with Multiple Taps

### OPTIONS

- Custom lengths available.
- Raw end available.
- Duct greater than 84" diameter requires Fab-Tech Engineering review and approval.

**\* MIN DISTANCE TO DUCT END**  
 "D1" = 4" - 94": 4" MIN  
 "D1" = 96" - 120": 5" MIN

OUR RECOMMENDATION IS TO ADD TAPS TO STANDARD 4' AND 8' STRAIGHT DUCT WHEN POSSIBLE - TAP DIMENSIONS SHOWN ARE MINS

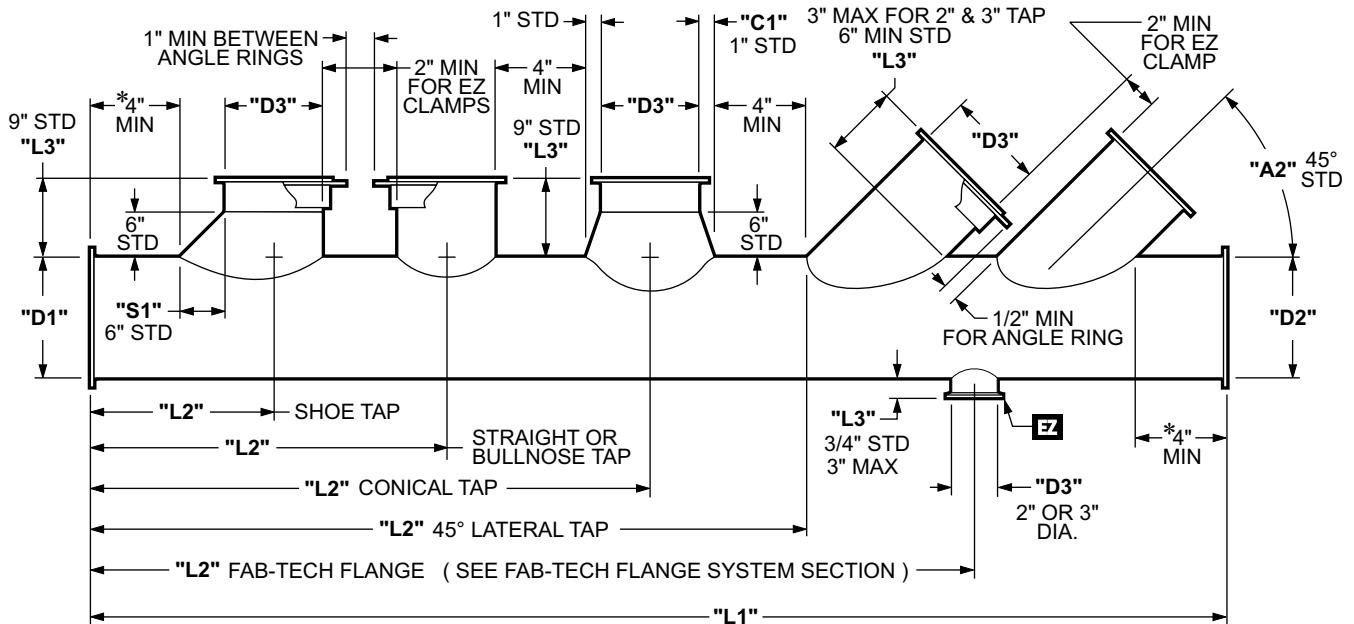
LONGER THAN STANDARD LENGTHS AND/OR HIGHER SYSTEM PRESSURES MAY REQUIRE ADDITIONAL STIFFENERS PER SMACNA, CONTACT FAB-TECH FOR SPECIFIC GUIDELINES.

**WITH EZ CLAMPS**  
(AVAILABLE 4" - 14")

**WITH CAST RINGS**  
(AVAILABLE 4" - 12")

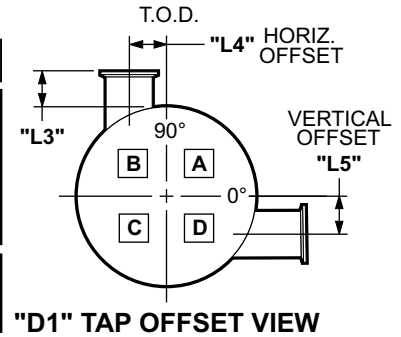
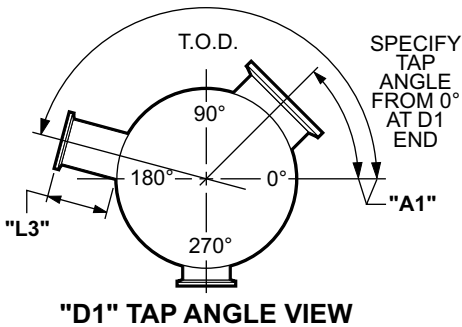
**WITH ANGLE RINGS**  
(AVAILABLE 14" - 120")

**OR A COMBINATION OF JOINING SYSTEMS**



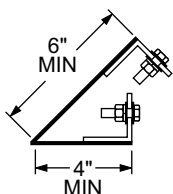
### STANDARD LENGTHS ("L")

JOINT SYSTEM	DIAMETER	"L"
EZ CLAMP	4" TO 14"	47.25"
CAST RING	4" TO 12"	47.25"
ANGLE RING	14" TO 48"	47.25"
	50" TO 120"	48.25"
ANGLE RING	16" TO 48"	95.25"
	50" TO 120"	96.25"

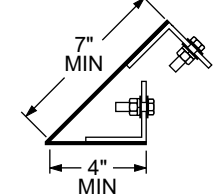


### \*STANDARD MINIMUMS FOR 45° LATERAL AND 90° STRAIGHT TAPS:

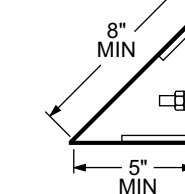
**4"-48" DUCT**  
2" X 2" RINGS



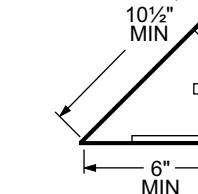
**50"-58" DUCT**  
2-1/2" X 2-1/2" RINGS



**60"-94" DUCT**  
3" X 3" RINGS



**96"-120" DUCT**  
4" X 4" RINGS



**96"-120" DUCT**  
4" X 4" RINGS

