

**Straight Duct with Shoe Tap**

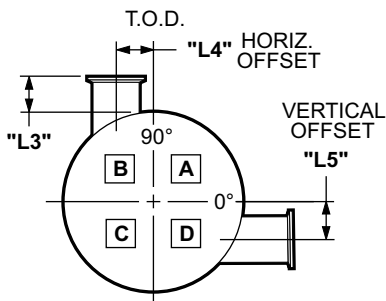
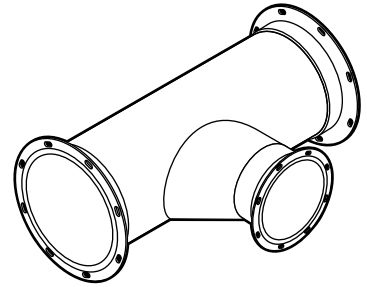
**OPTIONS**

- Custom lengths available.
- Raw end available.
- Multiple and offset taps available (see the multiple tap page).
- Duct greater than 84" diameter requires Fab-Tech Engineering review and approval.

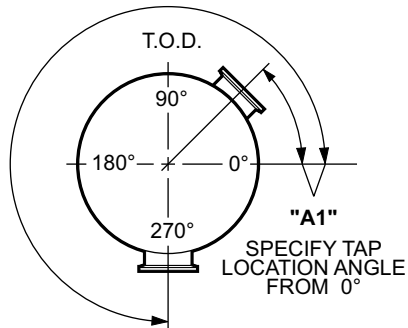
**WITH JOINT SYSTEM**

|               |            |
|---------------|------------|
| EZ CLAMP      | 4" - 14"   |
| SS CAST RING  | 4" - 14"   |
| BI ANGLE RING | 4" - 94"   |
| SS ANGLE RING | 16" - 120" |

**OR A COMBINATION OF JOINING SYSTEMS**



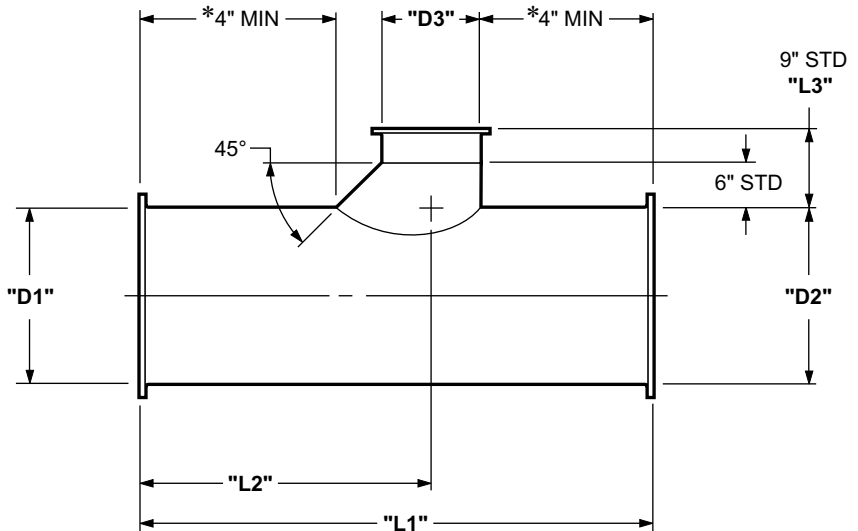
**"D1" TAP OFFSET VIEW**



**VIEW OF "D1" DUCT END**

OUR RECOMMENDATION IS TO ADD TAPS TO STANDARD 4' AND 8 STRAIGHT DUCT WHEN POSSIBLE - TAP DIMENSIONS SHOWN ARE MINS  
LONGER THAN STANDARD LENGTHS AND/OR HIGHER SYSTEM PRESSURES MAY REQUIRE ADDITIONAL STIFFENERS PER SMACNA, CONTACT FAB-TECH FOR SPECIFIC GUIDELINES.

**\* MIN DISTANCE TO DUCT END**  
"D1" = 4" - 94": 4" MIN  
"D1" = 96" - 120": 5" MIN



**SHOE TAP**

"L1" MIN = "D3" + 6" (SHOE LENGTH) + 8"  
"L1" MAX = 96-1/4"  
"D3" MAX = 86"

SHOE TAP GREATER THAN MAX "D3" REQUIRES 2 PIECE DESIGN AND ENGINEERING REVIEW

**STANDARD DUCT LENGTHS ("L1")**

| JOINT SYSTEM          | DIAMETER    | "L1" (4') | "L1" (8') |
|-----------------------|-------------|-----------|-----------|
| EZ CLAMP / CAST RING  | 4" TO 14"   | 47.25"    |           |
|                       | 8" TO 14"   |           | 95.25"    |
| BLACK IRON ANGLE RING | 4" TO 48"   | 47.25"    | 95.25"    |
|                       | 50" TO 94"  | 46.75"    | 94.75"    |
| STAINLESS ANGLE RING  | 16" TO 48"  | 47.25"    | 95.25"    |
|                       | 50" TO 94"  | 46.75"    | 94.75"    |
|                       | 96" TO 120" | 48.25"    | 96.25"    |