

Straight Duct with Conical Tap

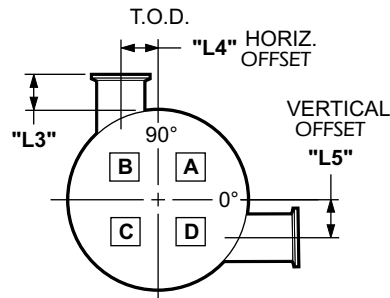
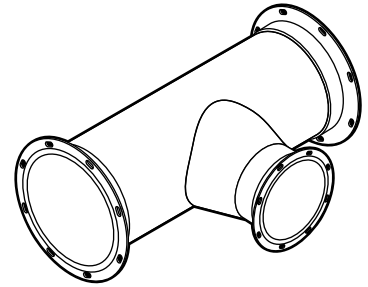
OPTIONS

- Custom lengths available.
- Raw end available.
- Multiple and offset taps available (see the multiple tap page).
- Duct greater than 84" diameter requires Fab-Tech Engineering review and approval.

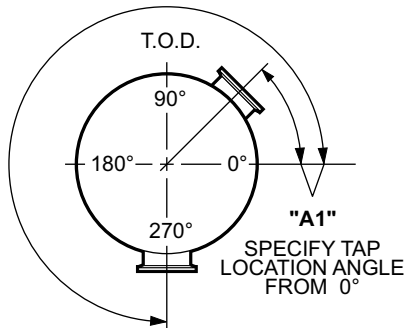
WITH JOINT SYSTEM

EZ CLAMP	4" - 14"
SS CAST RING	4" - 14"
BI ANGLE RING	4" - 94"
SS ANGLE RING	16" - 120"

OR A COMBINATION OF JOINING SYSTEMS



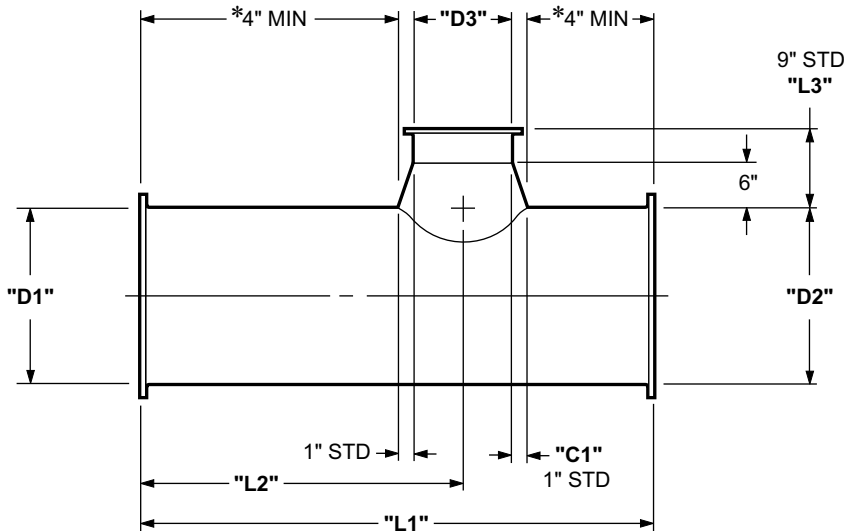
"D1" TAP OFFSET VIEW



VIEW OF "D1" DUCT END

OUR RECOMMENDATION IS TO ADD TAPS TO STANDARD 4' AND 8 STRAIGHT DUCT WHEN POSSIBLE - TAP DIMENSIONS SHOWN ARE MINS
LONGER THAN STANDARD LENGTHS AND/OR HIGHER SYSTEM PRESSURES MAY REQUIRE ADDITIONAL STIFFENERS PER SMACNA, CONTACT FAB-TECH FOR SPECIFIC GUIDELINES.

*** MIN DISTANCE TO DUCT END**
"D1" = 4" - 94": 4" MIN
"D1" = 96" - 120": 5" MIN



STANDARD DUCT LENGTHS ("L1")

JOINT SYSTEM	DIAMETER	"L1" (4')	"L1" (8')
EZ CLAMP / CAST RING	4" TO 14"	47.25"	
	8" TO 14"		95.25"
BLACK IRON ANGLE RING	4" TO 48"	47.25"	95.25"
	50" TO 94"	46.75"	94.75"
STAINLESS ANGLE RING	16" TO 48"	47.25"	95.25"
	50" TO 94"	46.75"	94.75"
	96" TO 120"	48.25"	96.25"

CONICAL TAP

"L1" MIN = "D3" + 10"
"L1" MAX = 96-1/4"
"D3" MAX = 86"

CONICAL TAP GREATER THAN 86" ["D3"]
REQUIRES 2 PIECE DESIGN
AND ENGINEERING REVIEW