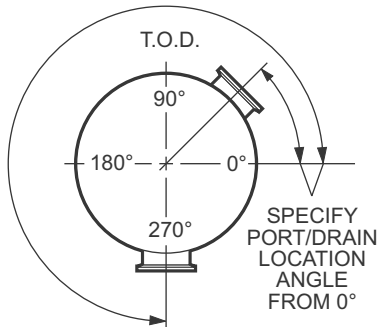
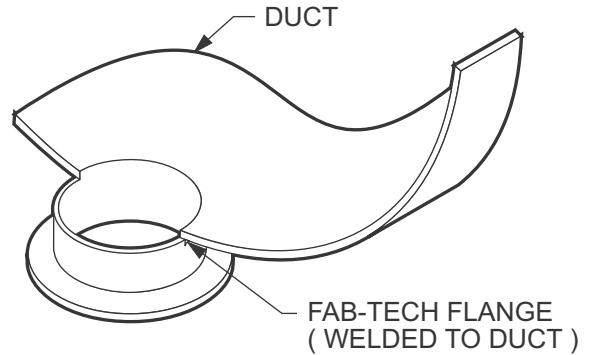


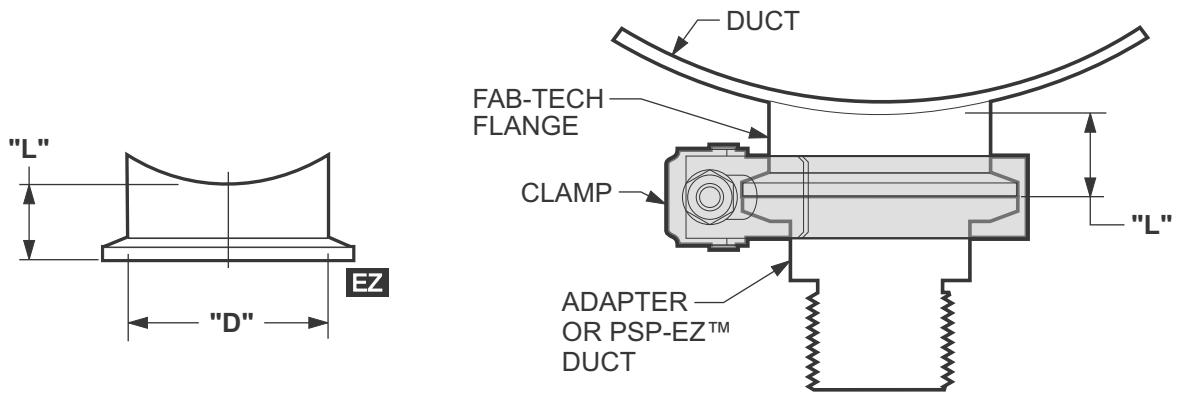
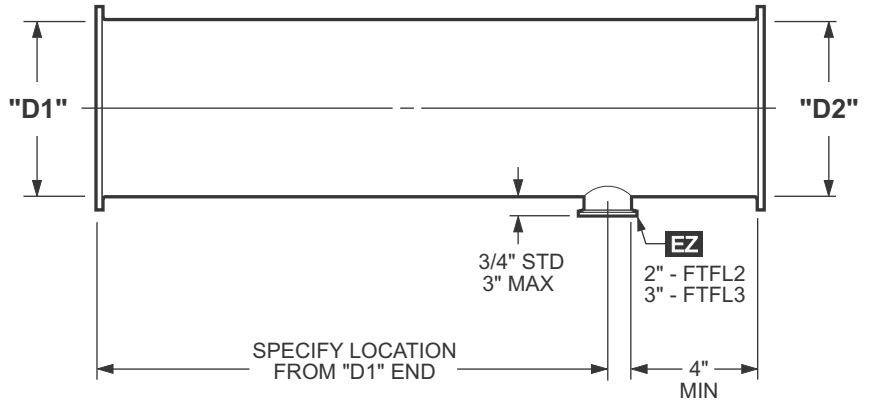
Straight Duct with Fab-Tech Flange

OUR RECOMMENDATION IS TO ADD TAPS TO STANDARD 4' AND 8' STRAIGHT DUCT WHEN POSSIBLE - TAP DIMENSIONS SHOWN ARE MINS

SEE FAB-TECH FLANGE SYSTEM SECTION FOR ADAPTERS AND THE EZ FITTINGS SECTION FOR DUCT TO USE WITH THE FAB-TECH FLANGE. FAB-TECH FLANGE / TEST PORT MAY BE INSTALLED ON FITTINGS OTHER THAN STRAIGHT DUCT (USE CUSTOM ORDER SHEET).



VIEW OF "D1" DUCT END



PART NO.	DESCRIPTION	"D"	"L"
FTFL2	2" FT FLANGE	2"	.75"
FTFL3	3" FT FLANGE	3"	.75"