

Straight Duct with Straight Tap

OPTIONS

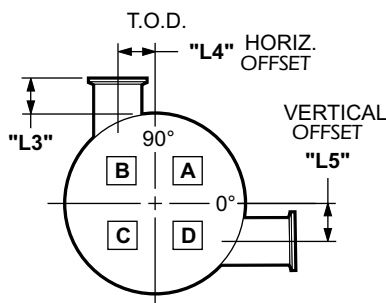
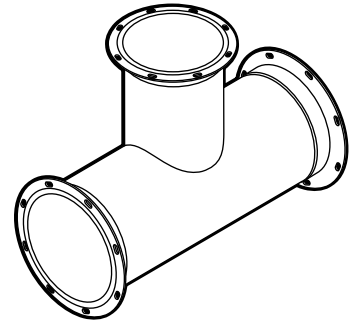
- Custom lengths available.
- Raw end available.
- Multiple and offset taps available (see the multiple tap page).
- Duct greater than 84" diameter requires Fab-Tech Engineering review and approval.

WITH EZ CLAMPS
(AVAILABLE 4" - 14")

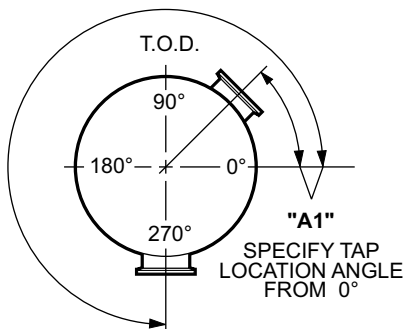
WITH CAST RINGS
(AVAILABLE 4" - 12")

WITH ANGLE RINGS
(AVAILABLE 14" - 120")

OR A COMBINATION OF JOINING SYSTEMS



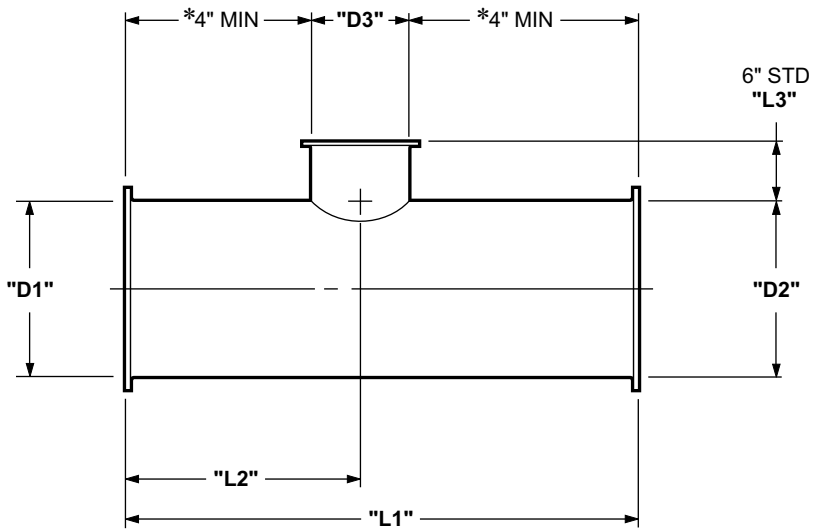
"D1" TAP OFFSET VIEW



VIEW OF "D1" DUCT END

OUR RECOMMENDATION IS TO ADD TAPS TO STANDARD 4' AND 8' STRAIGHT DUCT WHEN POSSIBLE - TAP DIMENSIONS SHOWN ARE MINS
LONGER THAN STANDARD LENGTHS AND/OR HIGHER SYSTEM PRESSURES MAY REQUIRE ADDITIONAL STIFFENERS PER SMACNA, CONTACT FAB-TECH FOR SPECIFIC GUIDELINES.

*** MIN DISTANCE TO DUCT END**
"D1" = 4" - 94": 4" MIN
"D1" = 96" - 120": 5" MIN



STRAIGHT TAP

"L1" MIN = "D3" + 8"
"L1" MAX = 96-1/4"
"D3" MAX = 88"

STRAIGHT TAP GREATER THAN 88" ["D3"]
REQUIRES 2 PIECE DESIGN
AND ENGINEERING REVIEW

STANDARD LENGTHS ("L")

JOINT SYSTEM	DIAMETER	"L"
EZ CLAMP	4" TO 14"	47.25"
CAST RING	4" TO 12"	47.25"
ANGLE RING	14" TO 48"	47.25"
	50" TO 120"	48.25"
ANGLE RING	16" TO 48"	95.25"
	50" TO 120"	96.25"