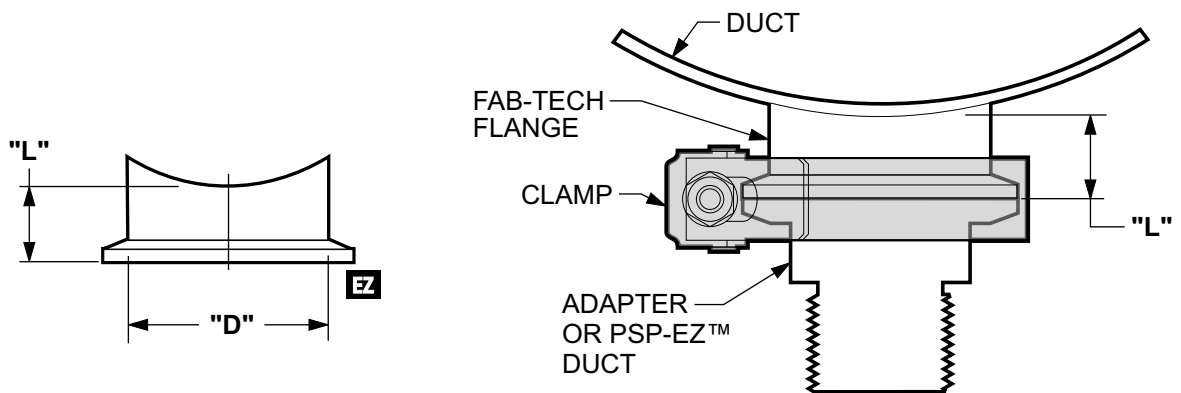
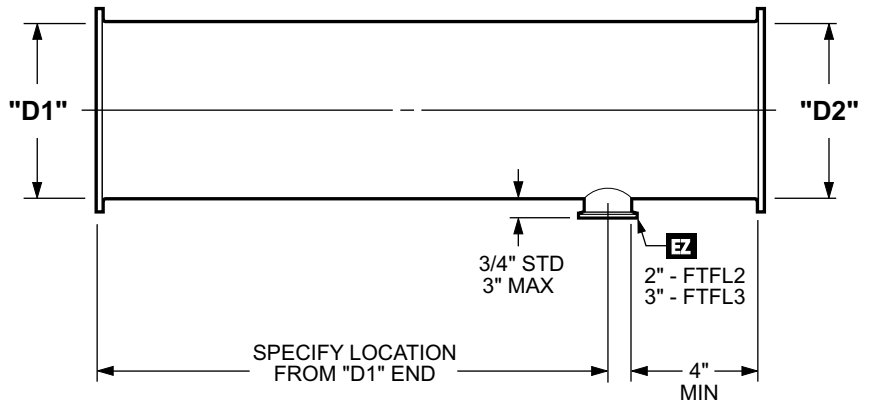
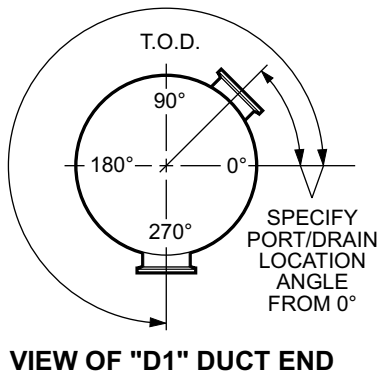
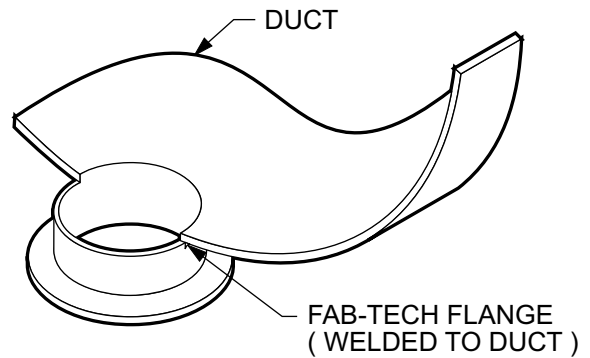


**Straight Duct with Fab-Tech Flange**

OUR RECOMMENDATION IS TO ADD TAPS TO STANDARD 4' AND 8' STRAIGHT DUCT WHEN POSSIBLE - TAP DIMENSIONS SHOWN ARE MINS

SEE FAB-TECH FLANGE SYSTEM SECTION FOR ADAPTERS AND THE EZ FITTINGS SECTION FOR DUCT TO USE WITH THE FAB-TECH FLANGE. FAB-TECH FLANGE / TEST PORT MAY BE INSTALLED ON FITTINGS OTHER THAN STRAIGHT DUCT ( USE CUSTOM ORDER SHEET ).



PART NO.	DESCRIPTION	"D"	"L"
FTFL2	2" FT FLANGE	2"	.75"
FTFL3	3" FT FLANGE	3"	.75"