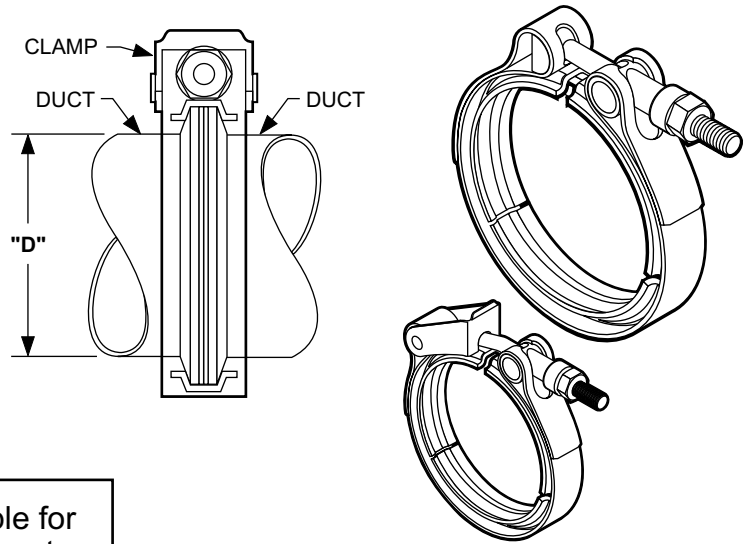
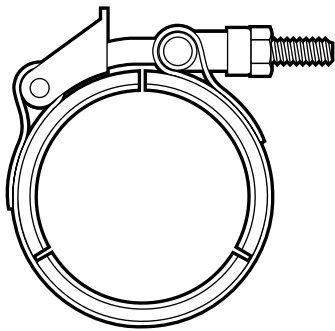


**PSP-EZ™ Clamp Mechanical Specifications**

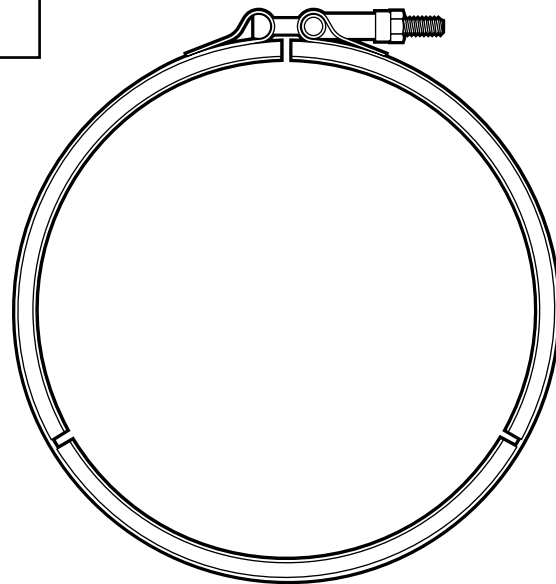
DUCT DIA. "D"	DUCT GAUGE			STRAIGHT DUCT LENGTH	BACKING RING
	-6" WG	-12" WG	-18" WG		
2	.035 TUBING			4 FT (47.25" ACTUAL)	WELDED
3					FLOATING
4					
6					
8	20	20	20		
10	20	20	20		
12					
14					



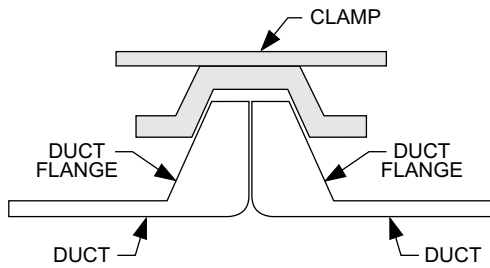
The PSP-EZ™ joining system is available for standard PSP® duct from 2" to 14" in diameter. The combination of half round backing rings and the unique angled clamp band provides excellent clamping force with the added benefit of ease of installation.



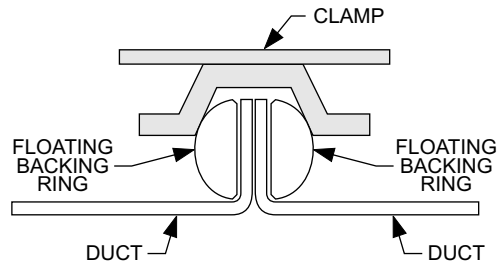
**2" & 3" PSP-EZ™ CLAMP**



**4"-14" PSP-EZ™ CLAMP**



**CROSS SECTION OF JOINT**



**CROSS SECTION OF JOINT**