

PSP[®]

PermaShield Pipe

Stainless Steel Corrosive Fume
Exhaust Systems With
PermaShield Fluoropolymer
Barrier Coating

RECTANGULAR DUCT ORDER COVER SHEET

Catalog 10/12.6

COMPANY:
MAILING ADDRESS:
CITY / STATE / ZIP CODE:

PROJECT MGR.:	
PHONE NO.:	ORDER DATE:
FAX NO.:	DELIVERY DATE:

SHIP TO:
STREET / ROAD:
CITY / STATE

FOR FAB-TECH ENGINEERING USE:	
DETAILER:	DATE:
REF LAYOUT DRAWING:	CUT CODE:
JOB NAME:	ORDER NO.:

JOB NAME:	JOB PHONE NO.:	JOB FAX NO.:
-----------	----------------	--------------

SYSTEM PRESSURE CLASS:	OTHER:
<input type="checkbox"/> -6" wg <input type="checkbox"/> -8" wg <input type="checkbox"/> -10" wg <input type="checkbox"/> -12" wg <input type="checkbox"/> -14" wg <input type="checkbox"/> -16" wg <input type="checkbox"/> -18" wg	

Contents

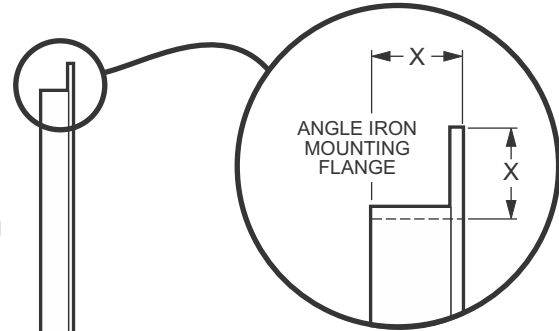
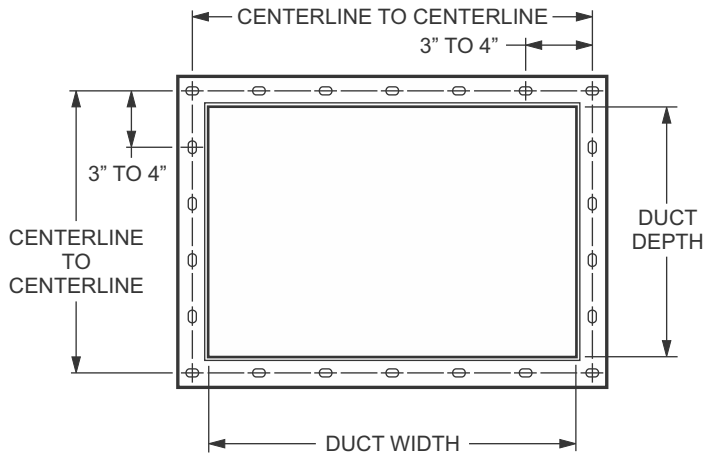
DUCT & FITTINGS

Mounting Flange Standards _____	3
Straight Duct _____	4
Straight Duct with Rectangular Straight Tap _____	5
Straight Duct with Rectangular Boot Tap _____	6
Straight Duct with Rectangular Conical Tap _____	7
Straight Duct with Rectangular Lateral Tap _____	8
Straight Duct with Round Tap _____	9
Straight Duct with Multiple Taps _____	10
Straight Duct with Multiple Taps _____	11
Radial Elbow 90°, 60°, 45°, 30° or Custom _____	12
Mitered Elbow 90°, 60°, 45°, 30° or Custom _____	13
Concentric Transition _____	14
Rectangular to Round Concentric Transition _____	15
Offset, Vertical _____	16
Offset, Horizontal _____	17
Offset, Double _____	18
End Cap _____	19
Custom Fitting _____	20

CONTROL DEVICES

Damper Actuator Worksheet _____	21
Industrial Rectangular Parallel Blade Control Damper _____	22
Industrial Rectangular Opposed Blade Control Damper _____	23
Industrial Rectangular Industrial Backdraft Damper _____	24
Heavy Duty Rectangular Parallel Blade Control Damper _____	25
Heavy Duty Rectangular Opposed Blade Control Damper _____	26
Rectangular Horizontal Blastgate _____	27
Rectangular Vertical Blastgate _____	28

Mounting Flange Standards



- ▷ Angle sizes (X): 1.5", 2", 2.5", and 3.0"
- ▷ Angle thickness for all sizes: 3/16"
- ▷ Flange angle size determined from duct width and system pressure.

TABLE BELOW IS FOR STANDARD DUCT LENGTH OF 48-1/4"
S = STIFFENER ADDED

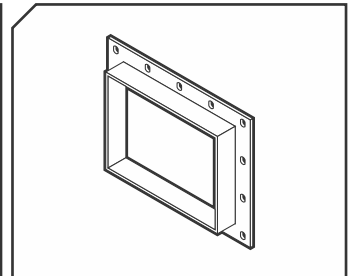
DUCT WIDTH	-6" W.G.		-8" W.G.		-10" W.G.		-12" W.G.	
	DUCT GAUGE	ANGLE SIZE	DUCT GAUGE	ANGLE SIZE	DUCT GAUGE	ANGLE SIZE	DUCT GAUGE	ANGLE SIZE
12" - 24"	16	1.5"	14	1.5"	12	1.5"	12	1.5"
26" - 36"	16	1.5"	14	2"	12	2"	12	2"
38" - 48"	16	2"	14	2"	12	2"	12	2"
50" - 60"	16 - S	2"	14 - S	2"	12 - S	2"	12 - S	2"
62" - 72"	16 - S	2"	14 - S	2"	12 - S	2"	12 - S	2"
74" - 84"	16 - S	2"	14 - S	2"	12 - S	2"	12 - S	2"
86" - 96"	16 - S	2"	14 - S	2"	12 - S	2"	12 - S	2.5"

DUCT WIDTH	-14" W.G.		-16" W.G.		-18" W.G.	
	DUCT GAUGE	ANGLE SIZE	DUCT GAUGE	ANGLE SIZE	DUCT GAUGE	ANGLE SIZE
12" - 24"	12	1.5"	10	1.5"	10	2"
26" - 36"	12	2"	10	2"	10	2"
38" - 48"	12	2"	10	2.5"	10	3.0"
50" - 60"	12 - S	2"	10 - S	2"	10 - S	2"
62" - 72"	12 - S	2"	10 - S	2"	10 - S	2"
74" - 84"	12 - S	2"	10 - S	2.5"	10 - S	2.5"
86" - 96"	12 - S	2.5"	10 - S	2.5"	10 - S	3.0"

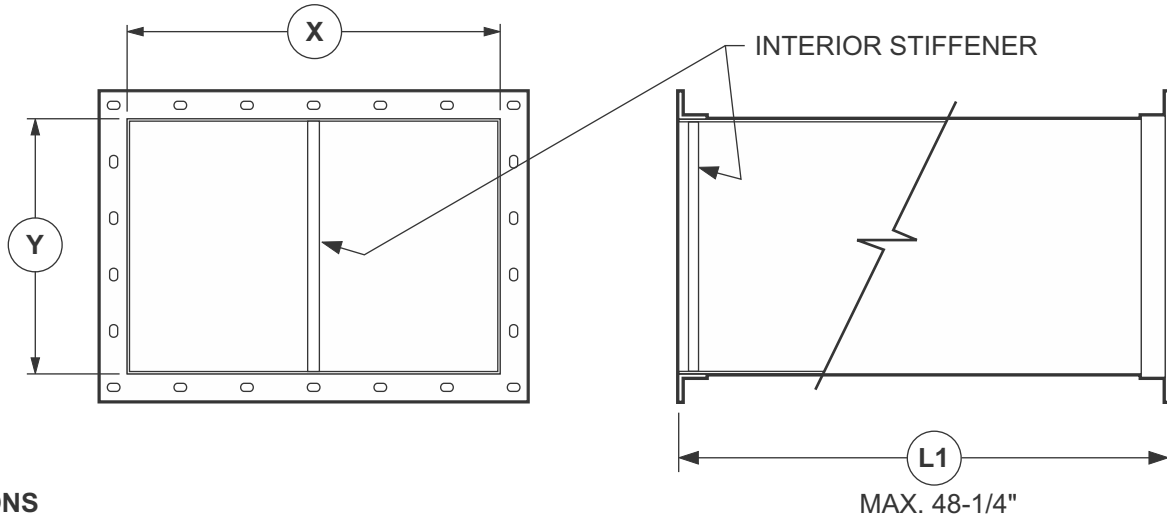
ALL DUCT FITTINGS WITH STANDARD FAB-TECH CONNECTIONS INCLUDE GASKETS AND CLAMPS OR HARDWARE AS REQUIRED FOR INSTALLATION.

NOTES

- ▷ Flange material is stainless steel.
- ▷ The number of holes for the bolt hole pattern is determined from the duct width and depth. Hole to hole distance will be calculated to be between 3" to 4". Oblong holes are punched along the flange centerline.
- ▷ Duct width or depth of 98" and larger requires engineering review and approval.
- ▷ Interior stiffeners (1" SCH40 pipe) are welded between duct sides 50" wide or greater. Separate offset stiffeners are used when both duct width and depth are 50" or greater.



Straight Duct



OPTIONS

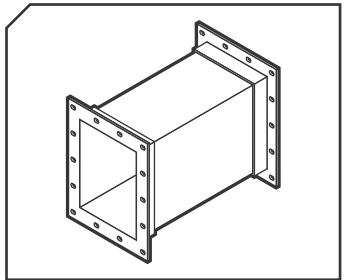
- ▷ CUSTOM LENGTHS AVAILABLE
- ▷ RAW END AVAILABLE
- ▷ DUCT WIDTH OR DEPTH OF 98" AND LARGER REQUIRES FAB-TECH ENGINEERING REVIEW AND APPROVAL
- ▷ AN INTERIOR STIFFENER (1" SCH40 PIPE) IS ADDED AT THE MIDPOINT OF THE FLANGE FOR DUCT WIDTH OR DEPTH OF 50" AND GREATER

LONGER THAN STANDARD LENGTHS AND/OR HIGHER SYSTEM PRESSURES MAY REQUIRE ADDITIONAL STIFFENERS PER SMACNA, CONTACT FAB-TECH FOR SPECIFIC GUIDELINES.

FITTING NUMBER	QTY	-X- DUCT WIDTH	-Y- DUCT DEPTH	-L1- DUCT LENGTH	REMARKS

ALL DUCT FITTINGS WITH STANDARD FAB-TECH CONNECTIONS INCLUDE GASKETS AND CLAMPS OR HARDWARE AS REQUIRED FOR INSTALLATION.

REMARKS:



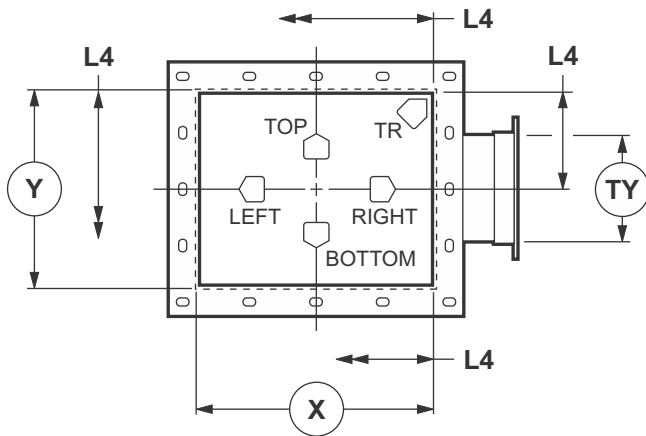
**COMPANY/
JOB REFERENCE**

Straight Duct with Straight Rectangular Tap

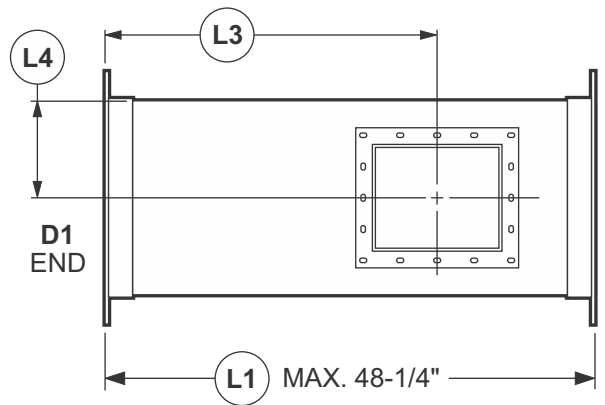
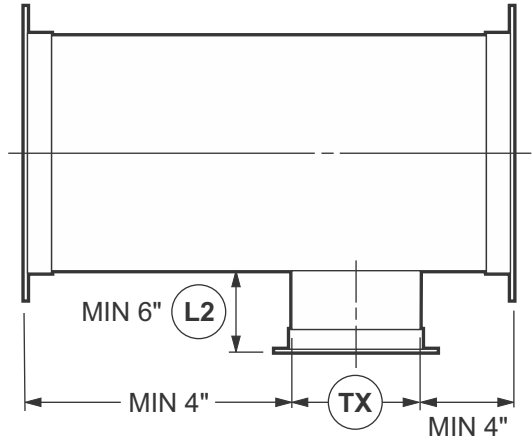
OPTIONS

- ▷ CUSTOM LENGTHS AVAILABLE
- ▷ RAW END AVAILABLE
- ▷ DUCT WIDTH OR DEPTH OF 98" AND LARGER REQUIRES FAB-TECH ENGINEERING REVIEW AND APPROVAL
- ▷ AN INTERIOR STIFFENER (1" SCH40 PIPE) IS ADDED AT THE MIDPOINT OF THE FLANGE FOR DUCT WIDTH OR DEPTH OF 50" AND GREATER

LONGER THAN STANDARD LENGTHS AND/OR HIGHER SYSTEM PRESSURES MAY REQUIRE ADDITIONAL STIFFENERS PER SMACNA, CONTACT FAB-TECH FOR SPECIFIC GUIDELINES.



END VIEW D1



TAP SPECIFICATIONS

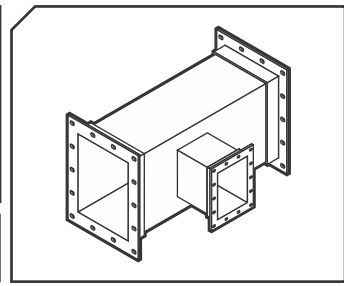
SPECIFY SIDE TO LOCATE TAP TOP BOTTOM LEFT RIGHT

FITTING NUMBER	QTY	DUCT SPECIFICATIONS			TAP SPECIFICATIONS					
		- X - DUCT WIDTH	- Y - DUCT DEPTH	- L1 - DUCT LENGTH	* LOCATE TAP	- TX - TAP WIDTH	- TY - TAP DEPTH	- L2 - TAP LENGTH	- L3 - LOCATE TAP FROM D1 END	- L4 - LOCATE TAP FROM TR
					<input type="checkbox"/>					
					<input type="checkbox"/>					
					<input type="checkbox"/>					
					<input type="checkbox"/>					

ALL DUCT FITTINGS WITH STANDARD FAB-TECH CONNECTIONS INCLUDE GASKETS AND CLAMPS OR HARDWARE AS REQUIRED FOR INSTALLATION.

REMARKS:

**COMPANY/
JOB REFERENCE**

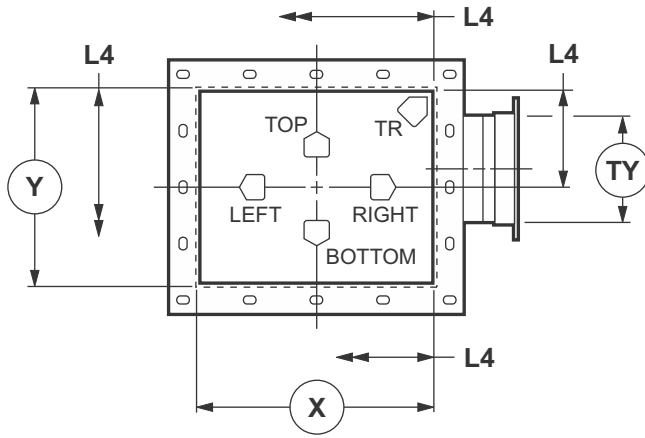
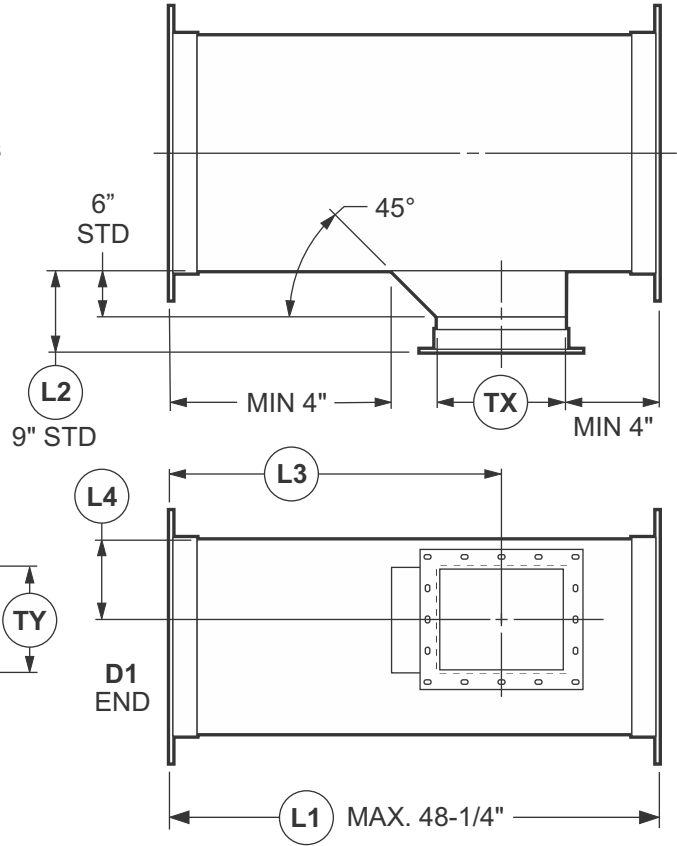


Straight Duct with Rectangular Boot Tap

OPTIONS

- ▷ CUSTOM LENGTHS AVAILABLE
- ▷ RAW END AVAILABLE
- ▷ DUCT WIDTH OR HEIGHT OF 98" AND LARGER REQUIRES FAB-TECH ENGINEERING REVIEW AND APPROVAL
- ▷ AN INTERIOR STIFFENER (1" SCH40 PIPE) IS ADDED AT THE MIDPOINT OF THE FLANGE FOR DUCT WIDTH OR HEIGHT OF 50" AND GREATER

LONGER THAN STANDARD LENGTHS AND/OR HIGHER SYSTEM PRESSURES MAY REQUIRE ADDITIONAL STIFFENERS PER SMACNA, CONTACT FAB-TECH FOR SPECIFIC GUIDELINES.



END VIEW D1

TAP SPECIFICATIONS

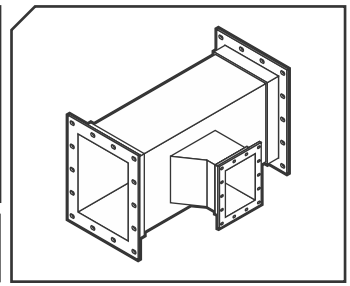
SPECIFY SIDE TO LOCATE TAP TOP BOTTOM LEFT RIGHT

FITTING NUMBER	QTY	DUCT SPECIFICATIONS			TAP SPECIFICATIONS					
		- X - DUCT WIDTH	- Y - DUCT DEPTH	- L1 - DUCT LENGTH	* LOCATE TAP	- TX - TAP WIDTH	- TY - TAP DEPTH	- L2 - TAP LENGTH	- L3 - LOCATE TAP FROM D1 END	- L4 - LOCATE TAP FROM TR
					<input type="checkbox"/>					
					<input type="checkbox"/>					
					<input type="checkbox"/>					
					<input type="checkbox"/>					

ALL DUCT FITTINGS WITH STANDARD FAB-TECH CONNECTIONS INCLUDE GASKETS AND CLAMPS OR HARDWARE AS REQUIRED FOR INSTALLATION.

REMARKS:

**COMPANY/
JOB REFERENCE**

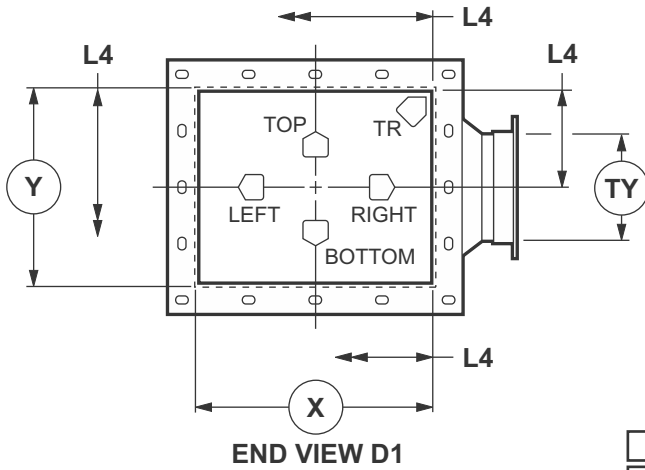
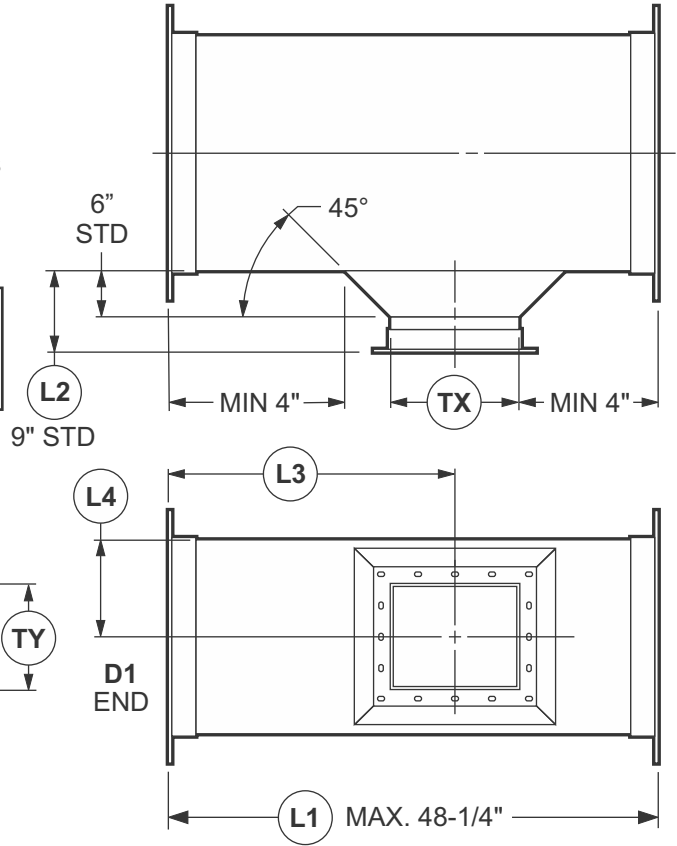


Straight Duct with Rectangular Conical Tap

OPTIONS

- ▷ CUSTOM LENGTHS AVAILABLE
- ▷ RAW END AVAILABLE
- ▷ DUCT WIDTH OR DEPTH OF 98" AND LARGER REQUIRES FAB-TECH ENGINEERING REVIEW AND APPROVAL
- ▷ AN INTERIOR STIFFENER (1" SCH40 PIPE) IS ADDED AT THE MIDPOINT OF THE FLANGE FOR DUCT WIDTH OR DEPTH OF 50" AND GREATER

LONGER THAN STANDARD LENGTHS AND/OR HIGHER SYSTEM PRESSURES MAY REQUIRE ADDITIONAL STIFFENERS PER SMACNA, CONTACT FAB-TECH FOR SPECIFIC GUIDELINES.



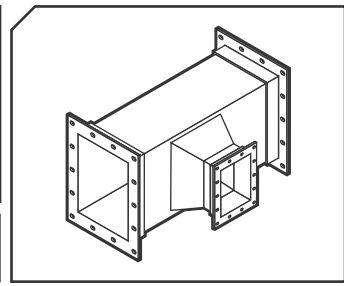
TAP SPECIFICATIONS					
SPECIFY SIDE TO LOCATE TAP					
		<input type="checkbox"/> TOP	<input type="checkbox"/> BOTTOM	<input type="checkbox"/> LEFT	<input type="checkbox"/> RIGHT

DUCT SPECIFICATIONS					TAP SPECIFICATIONS					
FITTING NUMBER	QTY	- X - DUCT WIDTH	- Y - DUCT DEPTH	- L1 - DUCT LENGTH	* LOCATE TAP	- TX - TAP WIDTH	- TY - TAP DEPTH	- L2 - TAP LENGTH	- L3 - LOCATE TAP FROM D1 END	- L4 - LOCATE TAP FROM TR
					<input type="checkbox"/>					
					<input type="checkbox"/>					
					<input type="checkbox"/>					
					<input type="checkbox"/>					

ALL DUCT FITTINGS WITH STANDARD FAB-TECH CONNECTIONS INCLUDE GASKETS AND CLAMPS OR HARDWARE AS REQUIRED FOR INSTALLATION.

REMARKS:

**COMPANY/
JOB REFERENCE**

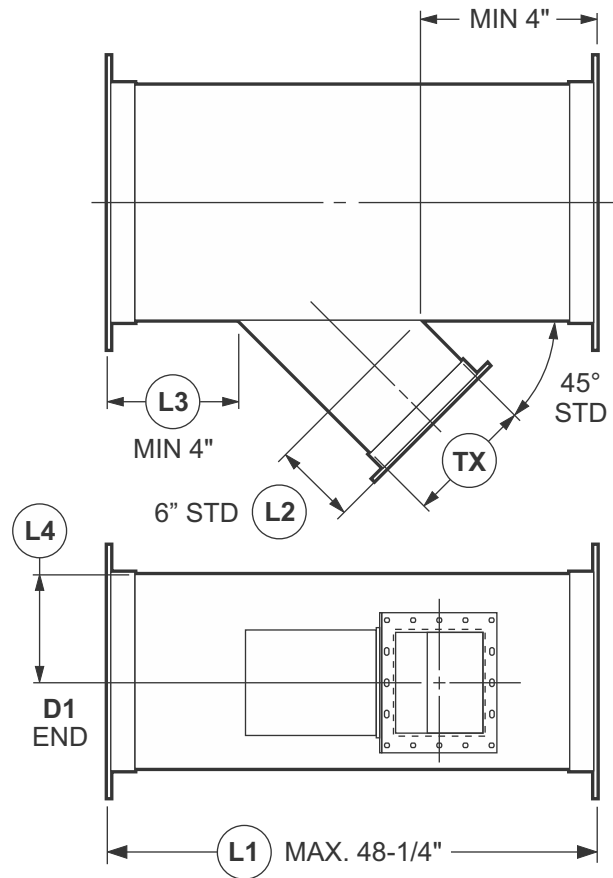
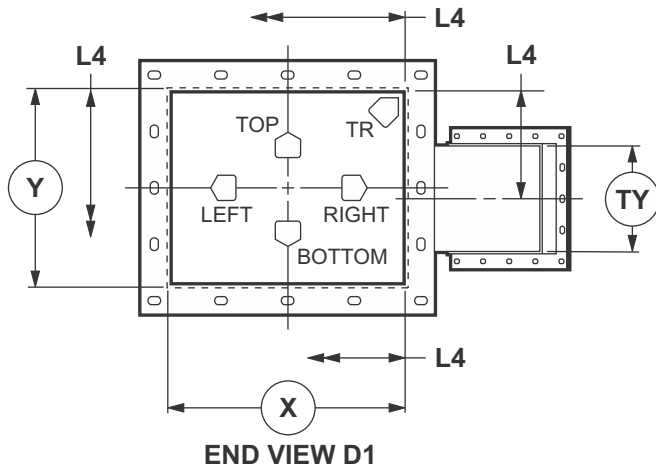


Straight Duct with Rectangular Lateral Tap

OPTIONS

- ▷ CUSTOM LENGTHS AVAILABLE
- ▷ RAW END AVAILABLE
- ▷ DUCT WIDTH OR DEPTH OF 98" AND LARGER REQUIRES FAB-TECH ENGINEERING REVIEW AND APPROVAL
- ▷ AN INTERIOR STIFFENER (1" SCH40 PIPE) IS ADDED AT THE MIDPOINT OF THE FLANGE FOR DUCT WIDTH OR HEIGHT OF 50" AND GREATER

LONGER THAN STANDARD LENGTHS AND/OR HIGHER SYSTEM PRESSURES MAY REQUIRE ADDITIONAL STIFFENERS PER SMACNA, CONTACT FAB-TECH FOR SPECIFIC GUIDELINES.



TAP SPECIFICATIONS

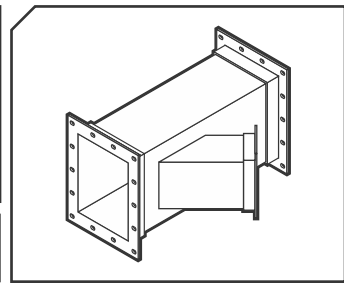
SPECIFY SIDE TO LOCATE TAP TOP BOTTOM LEFT RIGHT

FITTING NUMBER	QTY	DUCT SPECIFICATIONS			TAP SPECIFICATIONS					
		-X- DUCT WIDTH	-Y- DUCT DEPTH	-L1- DUCT LENGTH	*LOCATE TAP	-TX- TAP WIDTH	-TY- TAP DEPTH	-L2- TAP LENGTH	-L3- LOCATE TAP FROM D1 END	-L4- LOCATE TAP FROM TR
					<input type="checkbox"/>					
					<input type="checkbox"/>					
					<input type="checkbox"/>					
					<input type="checkbox"/>					

ALL DUCT FITTINGS WITH STANDARD FAB-TECH CONNECTIONS INCLUDE GASKETS AND CLAMPS OR HARDWARE AS REQUIRED FOR INSTALLATION.

REMARKS:

COMPANY/ JOB REFERENCE

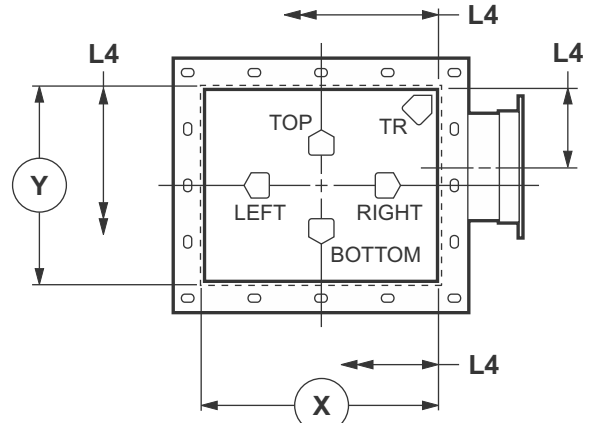
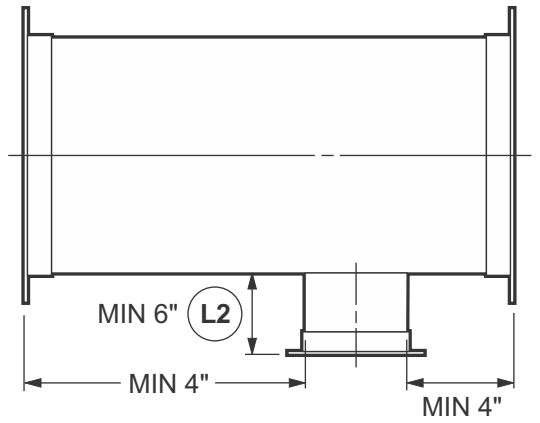


Straight Duct with Round Tap

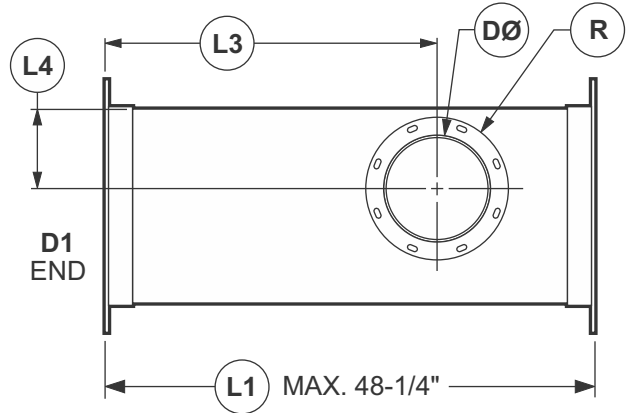
- ROUND RING TYPES**
- EZ** EZ CLAMPS
(AVAILABLE 4" - 14")
 - SC** STAINLESS CAST RINGS
(AVAILABLE 4" - 14")
 - BI** BLACK IRON ANGLE RINGS
(AVAILABLE 4" - 100")
 - SS** STAINLESS ANGLE RINGS
(AVAILABLE 16" - 120")

- OPTIONS**
- ▷ CUSTOM LENGTHS AVAILABLE
 - ▷ RAW END AVAILABLE
 - ▷ DUCT WIDTH OR DEPTH OF 98" AND LARGER REQUIRES FAB-TECH ENGINEERING REVIEW AND APPROVAL
 - ▷ AN INTERIOR STIFFENER (1" SCH40 PIPE) IS ADDED AT THE MIDPOINT OF THE FLANGE FOR DUCT WIDTH OR DEPTH OF 50" AND GREATER

LONGER THAN STANDARD LENGTHS AND/OR HIGHER SYSTEM PRESSURES MAY REQUIRE ADDITIONAL STIFFENERS PER SMACNA, CONTACT FAB-TECH FOR SPECIFIC GUIDELINES.



END VIEW D1



TAP SPECIFICATIONS

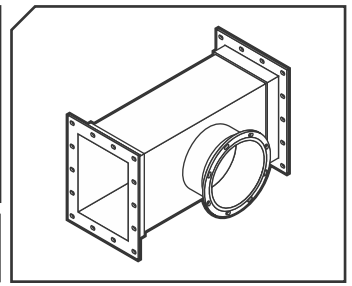
SPECIFY SIDE TO LOCATE TAP TOP BOTTOM LEFT RIGHT

FITTING NUMBER	QTY	DUCT SPECIFICATIONS			TAP SPECIFICATIONS					
		- X - DUCT WIDTH	- Y - DUCT DEPTH	- L1 - DUCT LENGTH	* LOCATE TAP	"DØ" TAP DIA.	"R" TAP RING TYPE	- L2 - TAP LENGTH	- L3 - LOCATE TAP FROM D1 END	- L4 - LOCATE TAP FROM TR
					<input type="checkbox"/>					
					<input type="checkbox"/>					
					<input type="checkbox"/>					
					<input type="checkbox"/>					

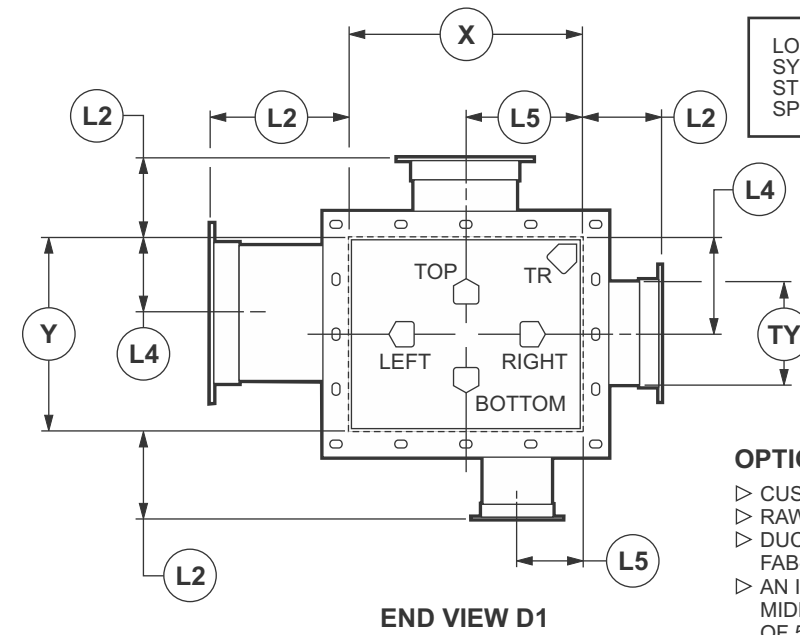
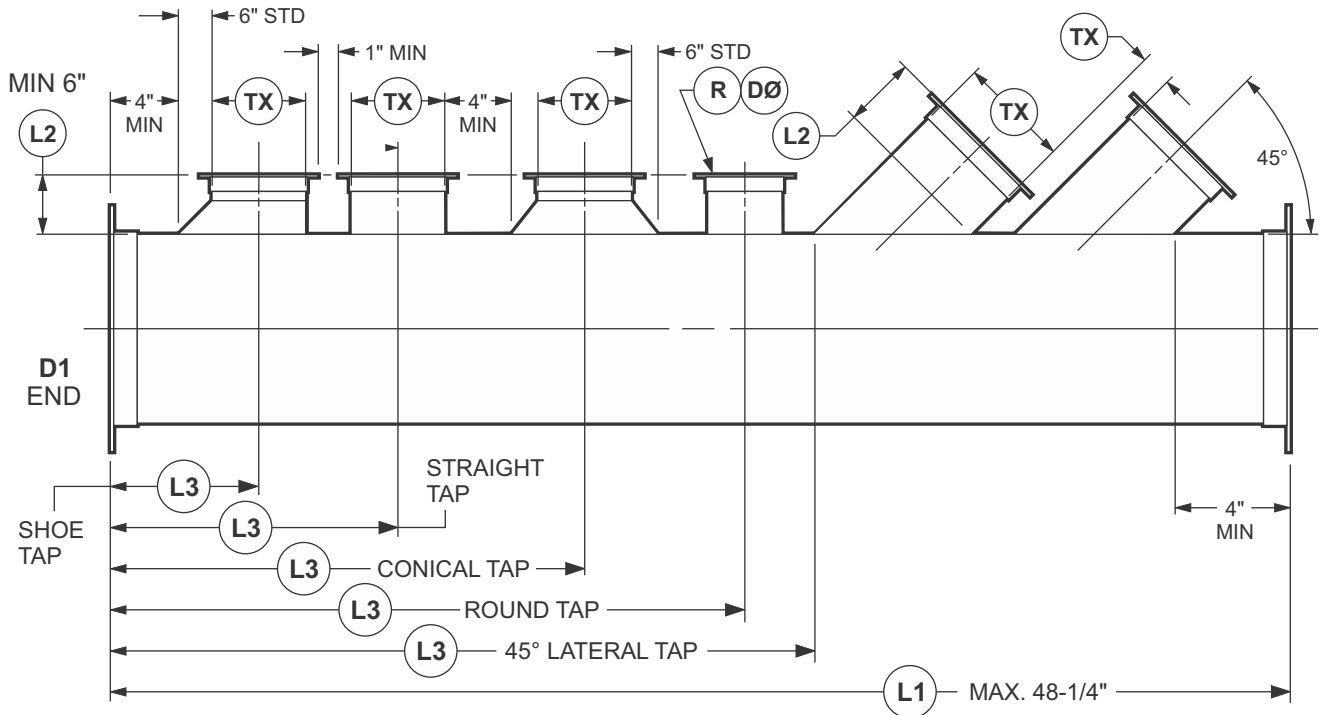
ALL DUCT FITTINGS WITH STANDARD FAB-TECH CONNECTIONS INCLUDE GASKETS AND CLAMPS OR HARDWARE AS REQUIRED FOR INSTALLATION.

REMARKS:

COMPANY/ JOB REFERENCE



Straight Duct with Multiple Taps



LONGER THAN STANDARD LENGTHS AND/OR HIGHER SYSTEM PRESSURES MAY REQUIRE ADDITIONAL STIFFENERS PER SMACNA, CONTACT FAB-TECH FOR SPECIFIC GUIDELINES.

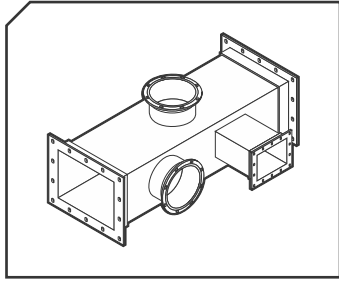
ROUND RING TYPES	
EZ	EZ CLAMPS (AVAILABLE 4" - 14")
SC	STAINLESS CAST RINGS (AVAILABLE 4" - 14")
BI	BLACK IRON ANGLE RINGS (AVAILABLE 4" - 100")
SS	STAINLESS ANGLE RINGS (AVAILABLE 16" - 120")

- OPTIONS**
- ▷ CUSTOM LENGTHS AVAILABLE
 - ▷ RAW END AVAILABLE
 - ▷ DUCT WIDTH OR DEPTH OF 98" AND LARGER REQUIRES FAB-TECH ENGINEERING REVIEW AND APPROVAL
 - ▷ AN INTERIOR STIFFENER (1" SCH40 PIPE) IS ADDED AT THE MIDPOINT OF THE FLANGE FOR DUCT WIDTH OR DEPTH OF 50" AND GREATER

ALL DUCT FITTINGS WITH STANDARD FAB-TECH CONNECTIONS INCLUDE GASKETS AND CLAMPS OR HARDWARE AS REQUIRED FOR INSTALLATION.

REMARKS:

COMPANY/ JOB REFERENCE





RECTANGULAR DUCT ORDER SHEET

Straight Duct with Multiple Taps

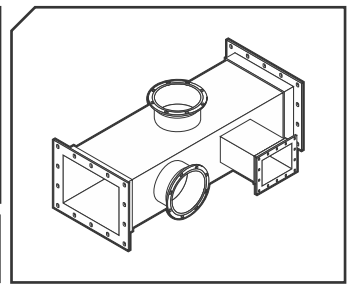
DUCT SPECIFICATIONS					
FITTING NUMBER	QTY	- X - DUCT WIDTH	- Y - DUCT DEPTH	- L1 - DUCT LENGTH	REMARKS

ALL DUCT FITTINGS WITH STANDARD FAB-TECH CONNECTIONS INCLUDE GASKETS AND CLAMPS OR HARDWARE AS REQUIRED FOR INSTALLATION.

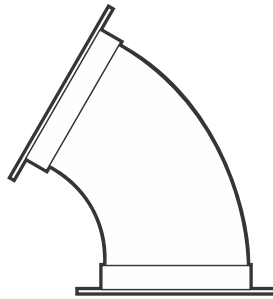
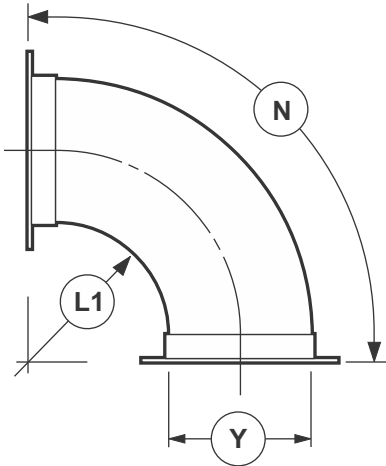
TAP SPECIFICATIONS											
	- TX - TAP WIDTH	- TY - TAP DEPTH	- L2 - TAP LENGTH	- L3 - LOCATE TAP FROM D1 END	- L4 - LOCATE HORIZONTAL TAP FROM TR	- L5 - LOCATE VERTICAL TAP FROM TR	"DØ" TAP DIA.	"R" TAP RING TYPE	SPECIFY LOCATION OF TAP		
TAP #1	SELECT TAP TYPE: <input type="radio"/> STRAIGHT: <input type="radio"/> BOOT: <input type="radio"/> CONICAL: <input type="radio"/> LATERAL: <input type="radio"/> ROUND:							LEFT <input type="checkbox"/>	TOP <input type="checkbox"/>	RIGHT <input type="checkbox"/>	BOTTOM <input type="checkbox"/>
TAP #2	SELECT TAP TYPE: <input type="radio"/> STRAIGHT: <input type="radio"/> BOOT: <input type="radio"/> CONICAL: <input type="radio"/> LATERAL: <input type="radio"/> ROUND:							LEFT <input type="checkbox"/>	TOP <input type="checkbox"/>	RIGHT <input type="checkbox"/>	BOTTOM <input type="checkbox"/>
TAP #3	SELECT TAP TYPE: <input type="radio"/> STRAIGHT: <input type="radio"/> BOOT: <input type="radio"/> CONICAL: <input type="radio"/> LATERAL: <input type="radio"/> ROUND:							LEFT <input type="checkbox"/>	TOP <input type="checkbox"/>	RIGHT <input type="checkbox"/>	BOTTOM <input type="checkbox"/>
TAP #4	SELECT TAP TYPE: <input type="radio"/> STRAIGHT: <input type="radio"/> BOOT: <input type="radio"/> CONICAL: <input type="radio"/> LATERAL: <input type="radio"/> ROUND:							LEFT <input type="checkbox"/>	TOP <input type="checkbox"/>	RIGHT <input type="checkbox"/>	BOTTOM <input type="checkbox"/>
TAP #5	SELECT TAP TYPE: <input type="radio"/> STRAIGHT: <input type="radio"/> BOOT: <input type="radio"/> CONICAL: <input type="radio"/> LATERAL: <input type="radio"/> ROUND:							LEFT <input type="checkbox"/>	TOP <input type="checkbox"/>	RIGHT <input type="checkbox"/>	BOTTOM <input type="checkbox"/>
TAP #6	SELECT TAP TYPE: <input type="radio"/> STRAIGHT: <input type="radio"/> BOOT: <input type="radio"/> CONICAL: <input type="radio"/> LATERAL: <input type="radio"/> ROUND:							LEFT <input type="checkbox"/>	TOP <input type="checkbox"/>	RIGHT <input type="checkbox"/>	BOTTOM <input type="checkbox"/>
TAP #7	SELECT TAP TYPE: <input type="radio"/> STRAIGHT: <input type="radio"/> BOOT: <input type="radio"/> CONICAL: <input type="radio"/> LATERAL: <input type="radio"/> ROUND:							LEFT <input type="checkbox"/>	TOP <input type="checkbox"/>	RIGHT <input type="checkbox"/>	BOTTOM <input type="checkbox"/>
TAP #8	SELECT TAP TYPE: <input type="radio"/> STRAIGHT: <input type="radio"/> BOOT: <input type="radio"/> CONICAL: <input type="radio"/> LATERAL: <input type="radio"/> ROUND:							LEFT <input type="checkbox"/>	TOP <input type="checkbox"/>	RIGHT <input type="checkbox"/>	BOTTOM <input type="checkbox"/>
TAP #9	SELECT TAP TYPE: <input type="radio"/> STRAIGHT: <input type="radio"/> BOOT: <input type="radio"/> CONICAL: <input type="radio"/> LATERAL: <input type="radio"/> ROUND:							LEFT <input type="checkbox"/>	TOP <input type="checkbox"/>	RIGHT <input type="checkbox"/>	BOTTOM <input type="checkbox"/>

REMARKS:

COMPANY/ JOB REFERENCE



90°, 60°, 45°, 30° or Custom Elbow



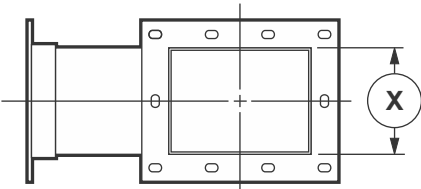
60° RADIAL ELBOW



45° RADIAL ELBOW



30° RADIAL ELBOW



90° RADIAL ELBOW

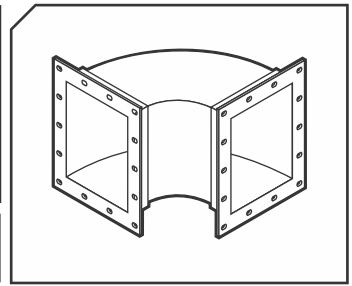
NOTES

- ▷ RAW END AVAILABLE.
- ▷ DUCT WIDTH OR DEPTH OF 98" AND LARGER REQUIRES FAB-TECH ENGINEERING REVIEW.
- ▷ AN INTERIOR STIFFENER (1" SCH40 PIPE) IS ADDED AT THE MIDPOINT OF THE FLANGE FOR DUCT WIDTH OR DEPTH OF 50" AND GREATER.

FITTING NUMBER	QTY	-Y- DUCT WIDTH	-X- DUCT DEPTH	-N- ELBOW ANGLE	-N- CUSTOM ANGLE	-L1- THROAT RADIUS	REMARKS
				<input type="checkbox"/> 90° <input type="checkbox"/> 45° <input type="checkbox"/> 60° <input type="checkbox"/> 30°			
				<input type="checkbox"/> 90° <input type="checkbox"/> 45° <input type="checkbox"/> 60° <input type="checkbox"/> 30°			
				<input type="checkbox"/> 90° <input type="checkbox"/> 45° <input type="checkbox"/> 60° <input type="checkbox"/> 30°			
				<input type="checkbox"/> 90° <input type="checkbox"/> 45° <input type="checkbox"/> 60° <input type="checkbox"/> 30°			
				<input type="checkbox"/> 90° <input type="checkbox"/> 45° <input type="checkbox"/> 60° <input type="checkbox"/> 30°			
				<input type="checkbox"/> 90° <input type="checkbox"/> 45° <input type="checkbox"/> 60° <input type="checkbox"/> 30°			
				<input type="checkbox"/> 90° <input type="checkbox"/> 45° <input type="checkbox"/> 60° <input type="checkbox"/> 30°			

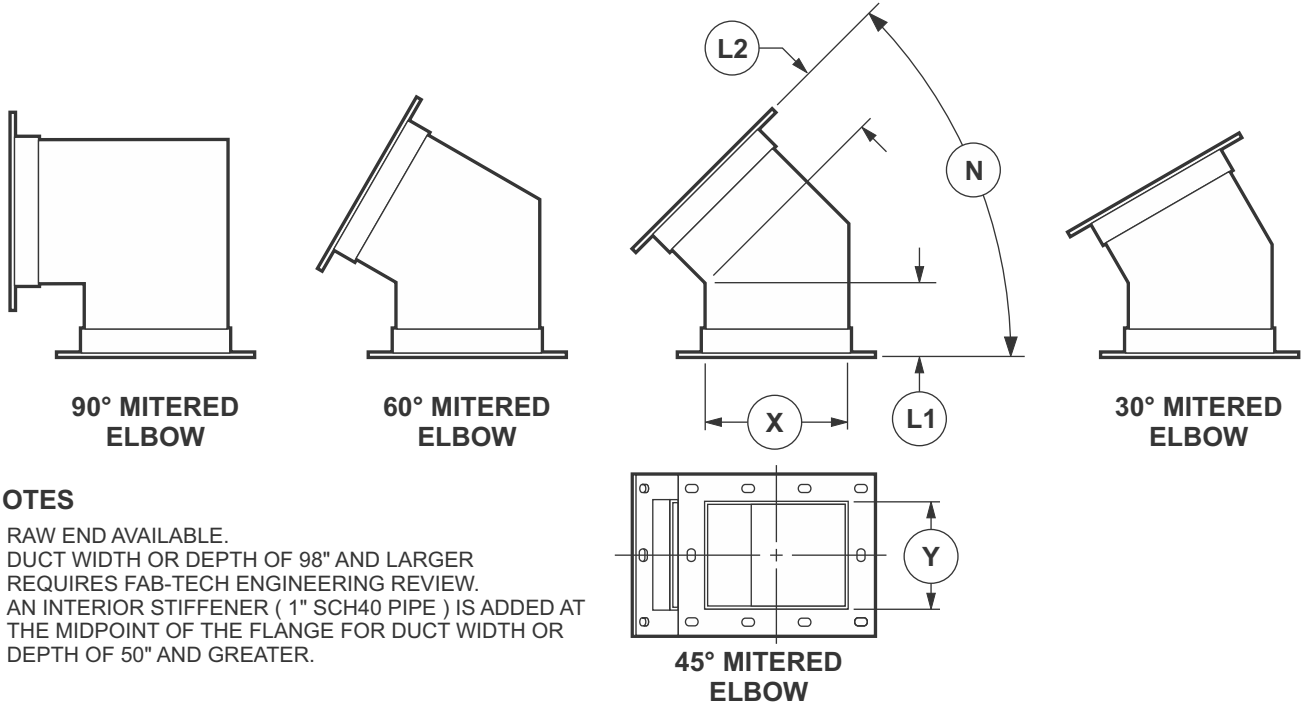
ALL DUCT FITTINGS WITH STANDARD FAB-TECH CONNECTIONS INCLUDE GASKETS AND CLAMPS OR HARDWARE AS REQUIRED FOR INSTALLATION.

REMARKS:



COMPANY/ JOB REFERENCE

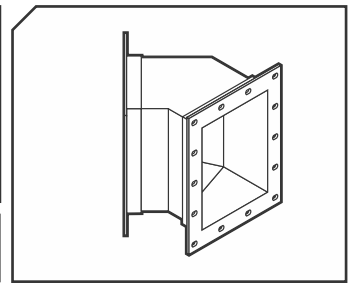
90°, 60°, 45°, 30° or Custom Mitered Elbow



FITTING NUMBER	QTY	-X- DUCT WIDTH	-Y- DUCT DEPTH	-N- ELBOW ANGLE	-N- CUSTOM ANGLE	-L1- THROAT LENGTH	-L2- THROAT LENGTH	REMARKS
				<input type="checkbox"/> 90° <input type="checkbox"/> 45° <input type="checkbox"/> 60° <input type="checkbox"/> 30°				
				<input type="checkbox"/> 90° <input type="checkbox"/> 45° <input type="checkbox"/> 60° <input type="checkbox"/> 30°				
				<input type="checkbox"/> 90° <input type="checkbox"/> 45° <input type="checkbox"/> 60° <input type="checkbox"/> 30°				
				<input type="checkbox"/> 90° <input type="checkbox"/> 45° <input type="checkbox"/> 60° <input type="checkbox"/> 30°				
				<input type="checkbox"/> 90° <input type="checkbox"/> 45° <input type="checkbox"/> 60° <input type="checkbox"/> 30°				
				<input type="checkbox"/> 90° <input type="checkbox"/> 45° <input type="checkbox"/> 60° <input type="checkbox"/> 30°				
				<input type="checkbox"/> 90° <input type="checkbox"/> 45° <input type="checkbox"/> 60° <input type="checkbox"/> 30°				

ALL DUCT FITTINGS WITH STANDARD FAB-TECH CONNECTIONS INCLUDE GASKETS AND CLAMPS OR HARDWARE AS REQUIRED FOR INSTALLATION.

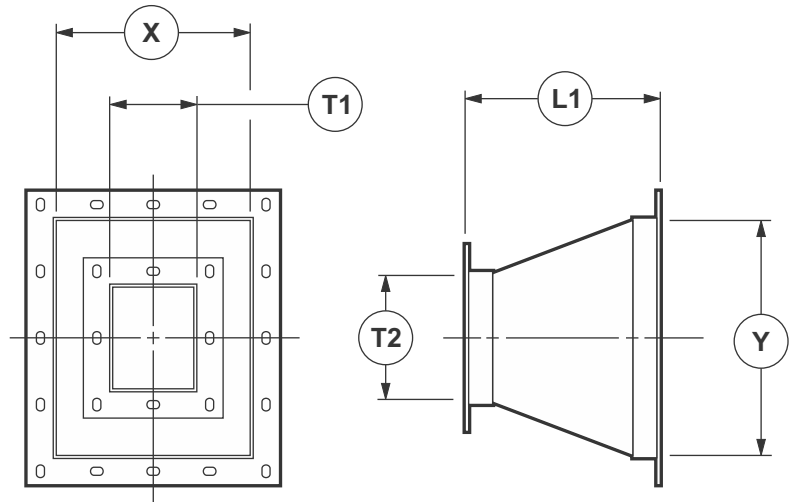
REMARKS:



COMPANY/ JOB REFERENCE

Concentric Transition

FOR ECCENTRIC RECTANGULAR TO RECTANGULAR FITTING, USE THE CUSTOM FITTING ORDER SHEET.



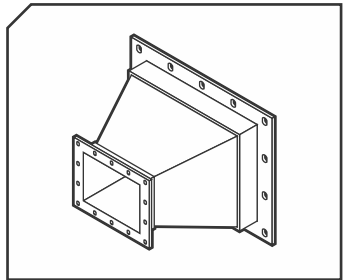
NOTES

- ▷ RAW END AVAILABLE.
- ▷ DUCT WIDTH OR DEPTH OF 98" AND LARGER REQUIRES FAB-TECH ENGINEERING REVIEW.
- ▷ AN INTERIOR STIFFENER (1" SCH40 PIPE) IS ADDED AT THE MIDPOINT OF THE FLANGE FOR DUCT WIDTH OR DEPTH OF 50" AND GREATER.

FITTING NUMBER	QTY	- X - DUCT WIDTH	- Y - DUCT DEPTH	- L1 - DUCT LENGTH	- T1 - TRANSITION WIDTH	- T2 - TRANSITION DEPTH	REMARKS

ALL DUCT FITTINGS WITH STANDARD FAB-TECH CONNECTIONS INCLUDE GASKETS AND CLAMPS OR HARDWARE AS REQUIRED FOR INSTALLATION.

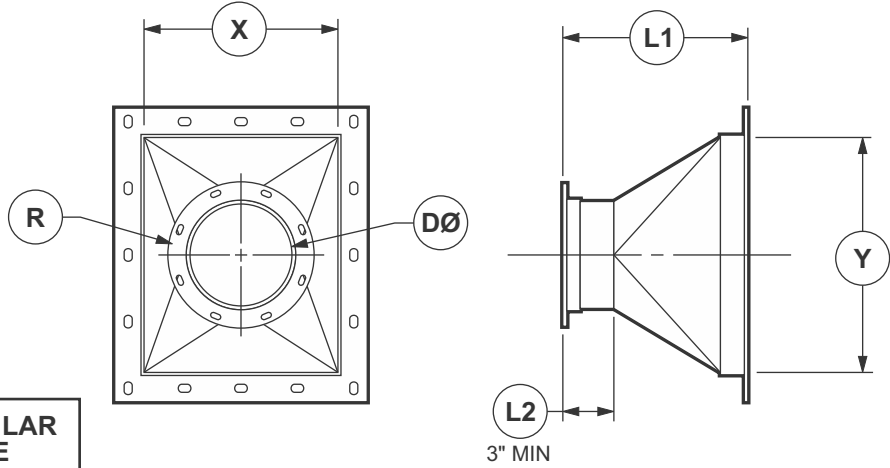
REMARKS:



**COMPANY/
JOB REFERENCE**

Concentric Rectangular to Round Transition

- ROUND RING TYPES**
- EZ** EZ CLAMPS
(AVAILABLE 4" - 14")
 - SC** STAINLESS CAST RINGS
(AVAILABLE 4" - 14")
 - BI** BLACK IRON ANGLE RINGS
(AVAILABLE 4" - 100")
 - SS** STAINLESS ANGLE RINGS
(AVAILABLE 16" - 120")



FOR ECCENTRIC RECTANGULAR TO ROUND FITTING, USE THE CUSTOM FITTING ORDER SHEET.

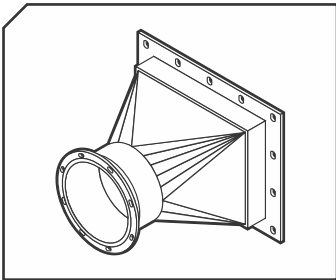
NOTES

- ▷ RAW END AVAILABLE.
- ▷ DUCT WIDTH OR DEPTH OF 98" AND LARGER REQUIRES FAB-TECH ENGINEERING REVIEW.
- ▷ AN INTERIOR STIFFENER (1" SCH40 PIPE) IS ADDED AT THE MIDPOINT OF THE FLANGE FOR DUCT WIDTH OR DEPTH OF 50" AND GREATER.

FITTING NUMBER	QTY	- X - DUCT WIDTH	- Y - DUCT DEPTH	- L1 - DUCT LENGTH	- DØ - ROUND DIAMETER	- R - RING TYPE	- L2 - THROAT LENGTH	REMARKS

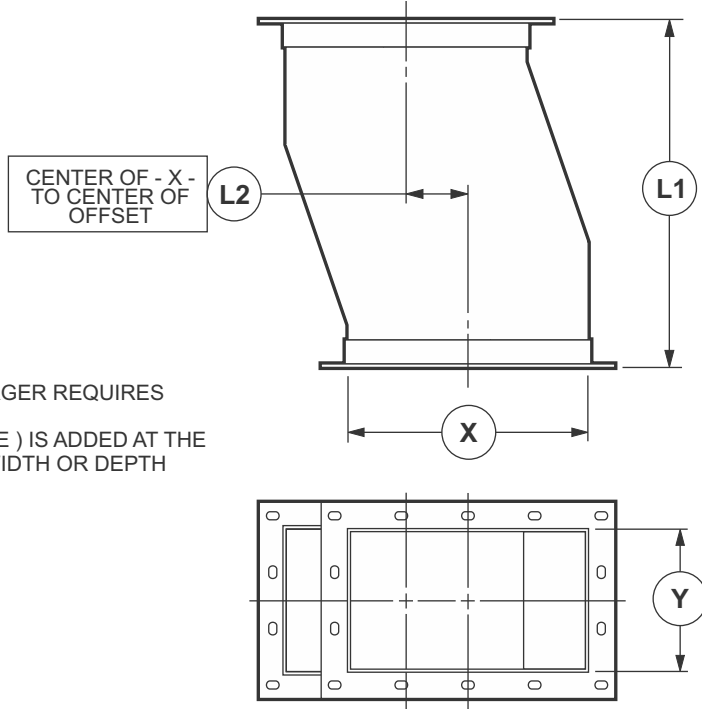
ALL DUCT FITTINGS WITH STANDARD FAB-TECH CONNECTIONS INCLUDE GASKETS AND CLAMPS OR HARDWARE AS REQUIRED FOR INSTALLATION.

REMARKS:



**COMPANY/
JOB REFERENCE**

Horizontal Offset



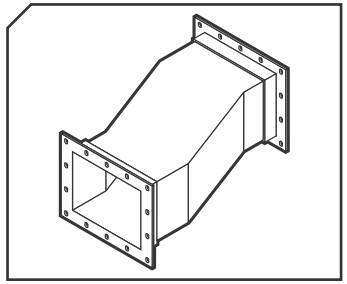
NOTES

- ▷ RAW END AVAILABLE.
- ▷ DUCT WIDTH OR DEPTH OF 98" AND LARGER REQUIRES FAB-TECH ENGINEERING REVIEW.
- ▷ AN INTERIOR STIFFENER (1" SCH40 PIPE) IS ADDED AT THE MIDPOINT OF THE FLANGE FOR DUCT WIDTH OR DEPTH OF 50" AND GREATER.

FITTING NUMBER	QTY	-X- DUCT WIDTH	-Y- DUCT DEPTH	-L1- DUCT LENGTH	-L2- HORIZONTAL OFFSET	REMARKS

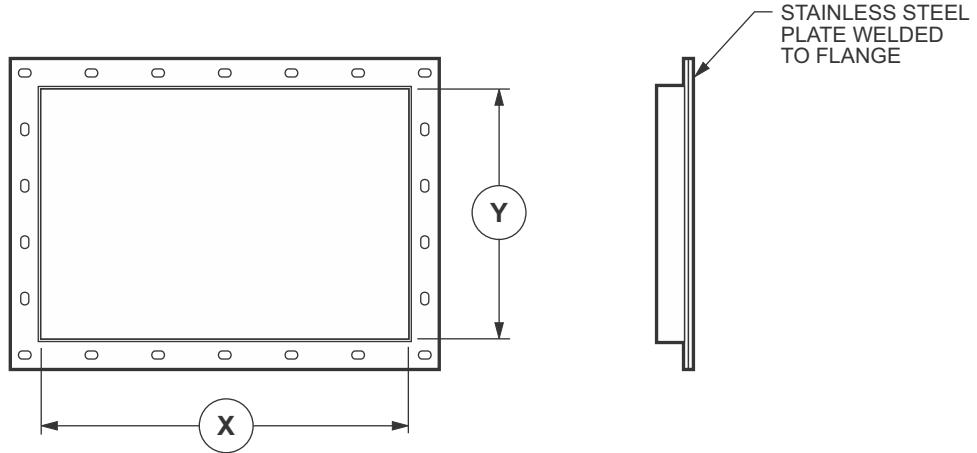
ALL DUCT FITTINGS WITH STANDARD FAB-TECH CONNECTIONS INCLUDE GASKETS AND CLAMPS OR HARDWARE AS REQUIRED FOR INSTALLATION.

REMARKS:



COMPANY/ JOB REFERENCE

End Cap



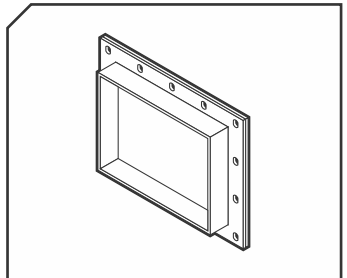
NOTES

- ▷ FLANGE MATERIAL WILL BE STAINLESS STEEL UNLESS OTHER MATERIAL IS SPECIFIED.
- ▷ DUCT WIDTH OR DEPTH OF 98" AND LARGER REQUIRES FAB-TECH ENGINEERING REVIEW.
- ▷ A STIFFENER (ANGLE MATERIAL MATCHING THE FRAME) IS ADDED AT THE FLANGE MIDPOINT OR WHERE AESTHETICALLY PLEASING FOR DUCT WIDTH OR DEPTH OF 50" AND GREATER (AS REQUIRED TO MEET MAXIMUM 4' SPACING).

FITTING NUMBER	QTY	- X - DUCT WIDTH	- Y - DUCT DEPTH	FITTING THAT END CAP WILL BE ATTACHED TO: DUCT FITTING NUMBER	REMARKS

ALL DUCT FITTINGS WITH STANDARD FAB-TECH CONNECTIONS INCLUDE GASKETS AND CLAMPS OR HARDWARE AS REQUIRED FOR INSTALLATION.

REMARKS:



**COMPANY/
JOB REFERENCE**



RECTANGULAR DUCT ORDER SHEET

Custom Fitting

FITTING NUMBER	QTY	REMARKS

NOTES

- DUCT WIDTH OR DEPTH OF 98" AND LARGER REQUIRES FAB-TECH ENGINEERING REVIEW.
- AN INTERIOR STIFFENER (1" SCH40 PIPE) IS ADDED AT THE MIDPOINT OF THE FLANGE FOR DUCT WIDTH OR DEPTH OF 50" AND GREATER.

ALL DUCT FITTINGS WITH STANDARD FAB-TECH CONNECTIONS INCLUDE GASKETS AND CLAMPS OR HARDWARE AS REQUIRED FOR INSTALLATION.

Damper Actuator Worksheet

ACTUATOR TYPE:

DAMPER SIZE: _____

- Pneumatic Available Air Pressure _____
- Electric Voltage _____
- Spring Return Fail Open
 Fail Closed
- Double Acting
- Limit Switch 1 Switch
 2 Switch
- Feedback Potentiometer
- Positioner _____
- Position Indicator
- Manual Override Gearbox
- Solenoid Valves

RECOMMENDED MINIMUM OPEN/CLOSE TORQUE (inch pounds)	
ISOLATION DAMPER	
SIZE	TORQUE
Ø4" - Ø14"	250
Ø16" - Ø48"	1000
Ø50" AND LARGER	1600
RECTANGULAR DAMPER	
LONGEST SIDE UP TO 48"	1000

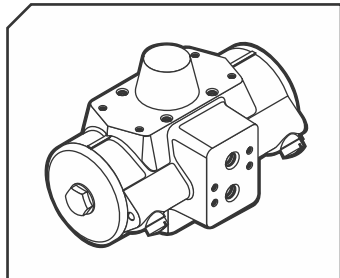
CUSTOMER SELECTED:

Preferred Actuator - Make and Model Number: _____

Accessory Part Number: _____

ALL DUCT FITTINGS WITH STANDARD FAB-TECH CONNECTIONS INCLUDE GASKETS AND CLAMPS OR HARDWARE AS REQUIRED FOR INSTALLATION.

REMARKS:



**COMPANY/
JOB REFERENCE**

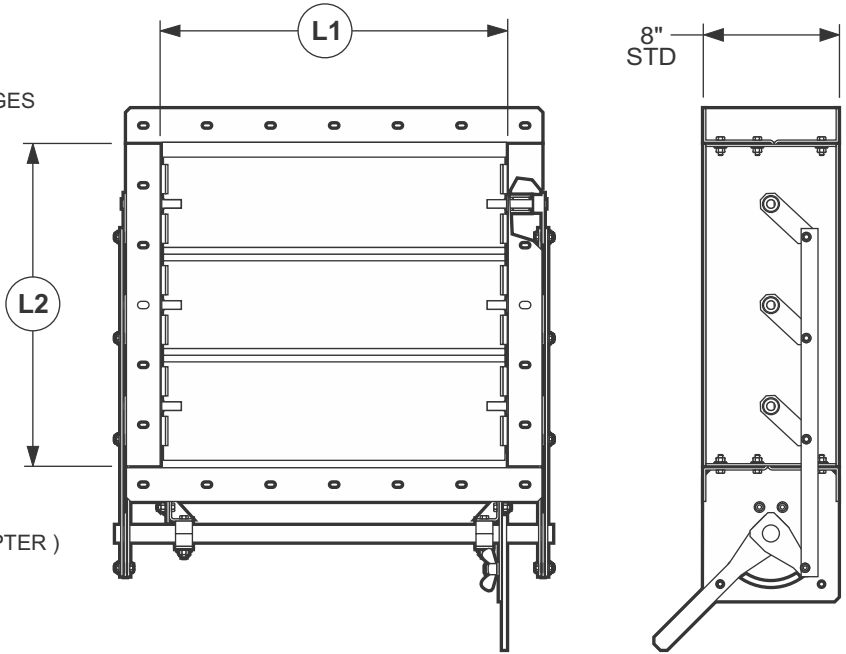
Industrial Rectangular Parallel Blade Control Damper

SPECIFICATIONS

- ▷ FRAME 8" STANDARD LENGTH WITH 2" FLANGES
- ▷ MOUNTING HOLES (.44" x .69" SLOT) LOCATED BETWEEN 3" TO 4" ON CENTER
- ▷ BLADES - 10 GA STAINLESS STEEL
- ▷ AXLES - .50" DIAMETER STAINLESS STEEL
- ▷ LIQUID TIGHT SHAFT SEALS
- ▷ LINKAGES LOCATED OUTSIDE THE AIRSTREAM - 10 GA STAINLESS STEEL TWIN DRIVE AS REQUIRED
- ▷ QUADRANT PLATES - 10 GA STAINLESS STEEL
- ▷ QUADRANT LEVER - .25" STAINLESS STEEL
- ▷ FULL OPEN / FULL CLOSE LOCKOUTS
- ▷ PTFE FRAME SEALS

OPTIONS

- ▷ ACTUATOR MOUNTING KITS
- ▷ BLANK MOUNTING KIT (PLATE & SHAFT ADAPTER) FOR CUSTOMER SUPPLIED ACTUATOR
- ▷ PNEUMATIC/ELECTRIC ACTUATOR
- ▷ GEAR DRIVE WITH LOCKING DAMPER SHAFT

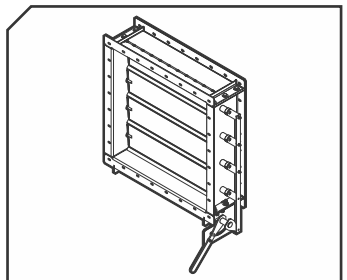


IF L1 OR L2 ARE LARGER THAN 36", HEAVY DUTY DAMPER IS REQUIRED.

FITTING NUMBER	QTY	- L1 - WIDTH	- L2 - DEPTH	REMARKS

ALL DUCT FITTINGS WITH STANDARD FAB-TECH CONNECTIONS INCLUDE GASKETS AND CLAMPS OR HARDWARE AS REQUIRED FOR INSTALLATION.

REMARKS:



**COMPANY/
JOB REFERENCE**

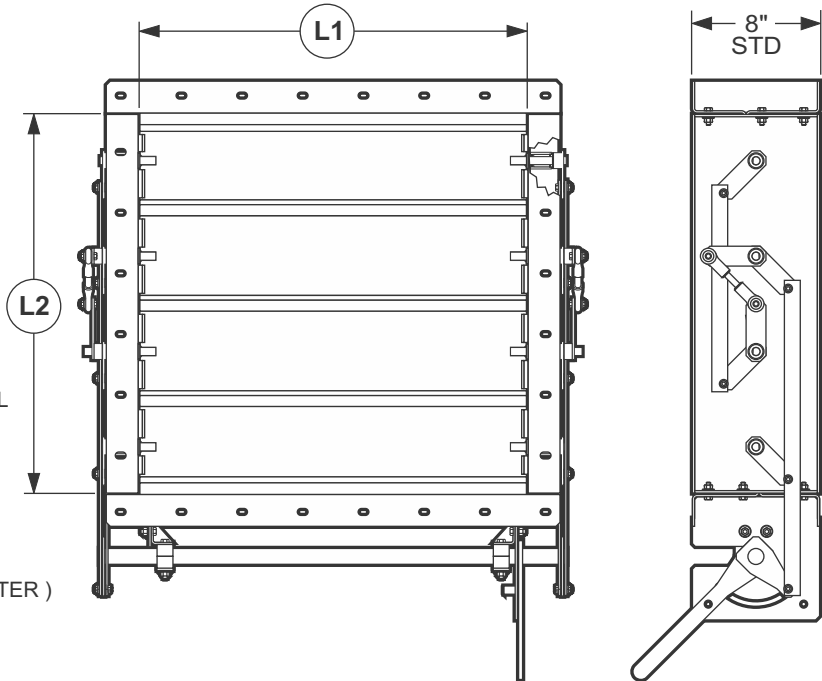
Industrial Rectangular Opposed Blade Control Damper

SPECIFICATIONS

- ▷ FRAME 8" STD LENGTH WITH 2" FLANGES
- ▷ MOUNTING HOLES (.44" X .69" SLOT)
EQUAL TO OR LESS THAN 4" ON CENTER
- ▷ BLADES - 10 GAUGE STAINLESS STEEL
- ▷ AXLES - .50" DIAMETER STAINLESS STEEL
- ▷ LIQUID TIGHT SHAFT SEALS
- ▷ LINKAGES LOCATED OUTSIDE THE
AIRSTREAM - 10 GA STAINLESS STEEL
TWIN DRIVE AS REQUIRED
- ▷ QUADRANT PLATES - 10 GA STAINLESS STEEL
- ▷ QUADRANT LEVER - .25" STAINLESS STEEL
- ▷ FULL OPEN / FULL CLOSE LOCKOUTS
- ▷ PTFE FRAME SEALS

OPTIONS

- ▷ ACTUATOR MOUNTING KITS
- ▷ BLANK MOUNTING KIT (PLATE & SHAFT ADAPTER)
FOR CUSTOMER SUPPLIED ACTUATOR
- ▷ PNEUMATIC/ELECTRIC ACTUATOR
- ▷ GEAR DRIVE WITH LOCKING DAMPER SHAFT

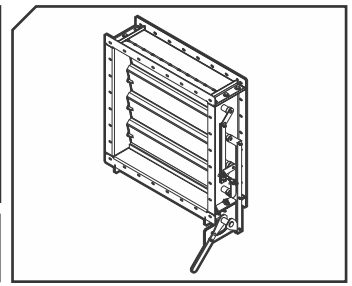


IF L1 OR L2 ARE LONGER THAN 36", HEAVY DUTY DAMPER IS REQUIRED.

FITTING NUMBER	QTY	- L1 - WIDTH	- L2 - DEPTH	REMARKS

ALL DUCT FITTINGS WITH STANDARD FAB-TECH CONNECTIONS INCLUDE GASKETS AND CLAMPS OR HARDWARE AS REQUIRED FOR INSTALLATION.

REMARKS:

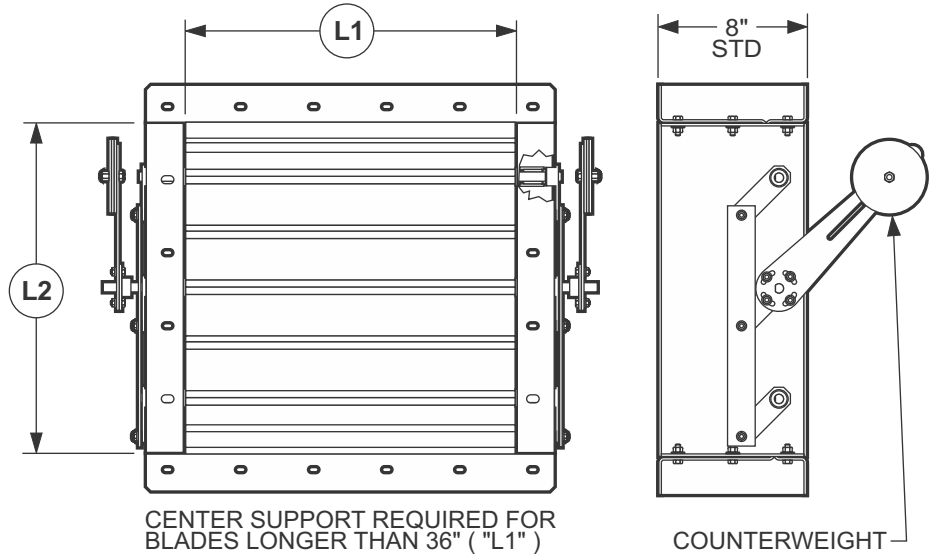


**COMPANY/
JOB REFERENCE**

Industrial Rectangular Backdraft Damper

SPECIFICATIONS

- ▷ 10 GA STAINLESS STEEL FRAME
8" STD LENGTH WITH 2" FLANGES
CENTER SUPPORT AS REQUIRED
- ▷ FLANGE MOUNTING HOLES
(.44" X .69" SLOT) EQUAL TO OR
LESS THAN 4" ON CENTER
- ▷ 14 GA STAINLESS STEEL BLADES
- ▷ .50" DIAMETER STAINLESS
STEEL AXLES
- ▷ LIQUID TIGHT SHAFT SEALS
- ▷ ALL LINKAGES 10 GA STAINLESS
STEEL OUTSIDE AIRSTREAM
- ▷ MANUAL ADJUSTABLE
COUNTERWEIGHTS
- ▷ PTFE FRAME SEALS



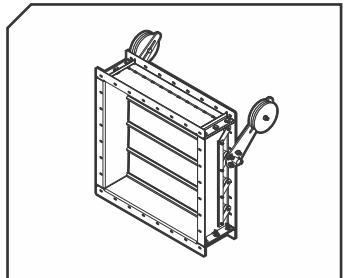
CENTER SUPPORT REQUIRED FOR
BLADES LONGER THAN 36" ("L1")

COUNTERWEIGHT

FITTING NUMBER	QTY	- L1 - WIDTH	- L2 - DEPTH	REMARKS

ALL DUCT FITTINGS WITH STANDARD FAB-TECH CONNECTIONS INCLUDE GASKETS AND CLAMPS OR HARDWARE AS REQUIRED FOR INSTALLATION.

REMARKS:



**COMPANY/
JOB REFERENCE**

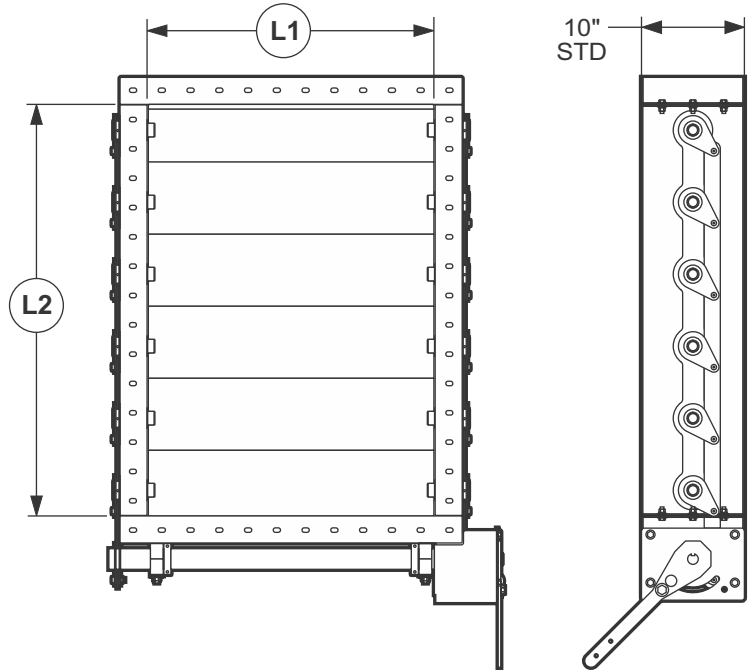
Heavy Duty Rectangular Parallel Blade Control Damper

SPECIFICATIONS

- ▷ FRAME 10" STANDARD LENGTH WITH 2" FLANGES
- ▷ MOUNTING HOLES (.44" x .69" SLOT) LOCATED BETWEEN 3" TO 4" ON CENTER
- ▷ BLADES - 10 GA STAINLESS STEEL
- ▷ AXLES - 1.38" DIAMETER STAINLESS STEEL
- ▷ LIQUID TIGHT SHAFT SEALS
- ▷ LINKAGES LOCATED OUTSIDE THE AIRSTREAM - 10 GA STAINLESS STEEL TWIN DRIVE AS REQUIRED
- ▷ QUADRANT PLATES - 10 GA STAINLESS STEEL
- ▷ QUADRANT LEVER - .25" STAINLESS STEEL
- ▷ FULL OPEN / FULL CLOSE LOCKOUTS
- ▷ PTFE FRAME SEALS

OPTIONS

- ▷ ACTUATOR MOUNTING KITS
- ▷ PNEUMATIC/ELECTRIC ACTUATOR
- ▷ GEAR DRIVE WITH LOCKING DAMPER SHAFT
- ▷ PIN-LOCK PIN (KEYED MASTERLOCK[®] BODY SOLD SEPARATELY)

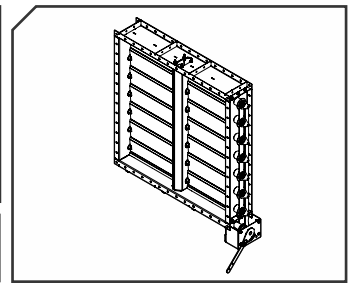


CENTER SUPPORT W/ CENTER LINKAGE REQUIRED FOR BLADES LONGER THAN 36" ("L1").

FITTING NUMBER	QTY	- L1 - WIDTH	- L2 - DEPTH	REMARKS

ALL DUCT FITTINGS WITH STANDARD FAB-TECH CONNECTIONS INCLUDE GASKETS AND CLAMPS OR HARDWARE AS REQUIRED FOR INSTALLATION.

REMARKS:



**COMPANY/
JOB REFERENCE**

Heavy Duty Rectangular Opposed Blade Control Damper

NOTE

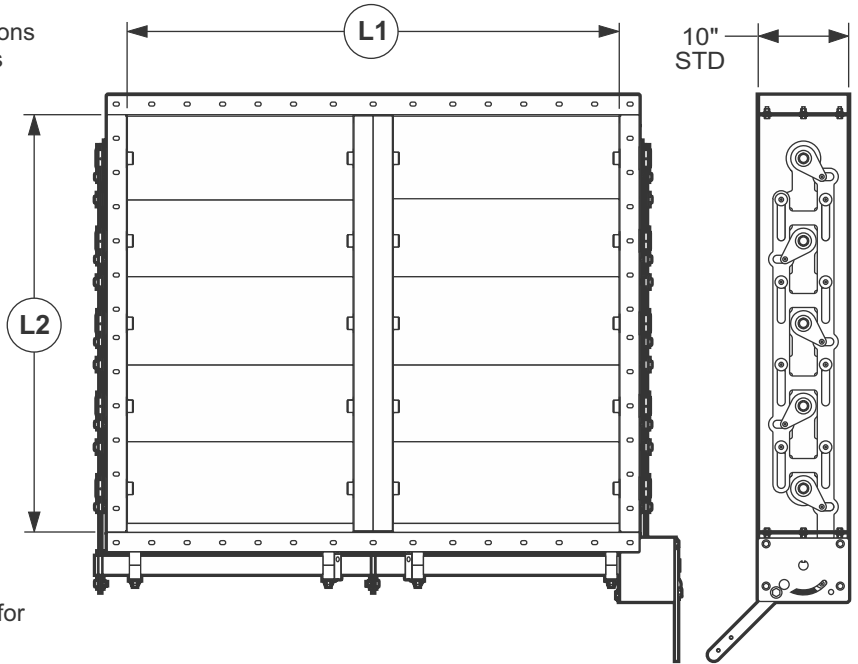
- ▶ All fittings with standard Fab-Tech connections include gaskets and clamps or hardware as required for installation.

SPECIFICATIONS

- ▶ Frame 10" standard length with 2" flanges.
- ▶ Mounting holes (.44" x .69" slot) located between 3" to 4" on center.
- ▶ Blades - 10 GA stainless steel.
- ▶ Axles - 1.38" diameter stainless steel.
- ▶ Liquid tight shaft seals.
- ▶ Linkage located outside the airstream - 10 GA stainless steel twin drive as required.
- ▶ Quadrant plates - 10 GA stainless steel.
- ▶ Quadrant lever - .25" stainless steel.
- ▶ Full open / full close lockouts.
- ▶ PTFE frame seals.

OPTIONS

- ▶ Actuator mounting kits.
- ▶ Blank mounting kit (plate & shaft adapter) for customer supplied actuator.
- ▶ Pneumatic / electric actuator.
- ▶ Gear drive with locking damper shaft.

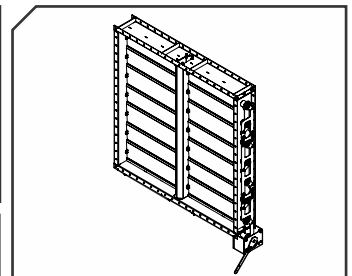


**CENTER SUPPORT W/ CENTER LINKAGE
REQUIRED FOR BLADES LONGER THAN 36" ("L1").**

FITTING NUMBER	QTY	- L1 - WIDTH	- L2 - DEPTH	REMARKS

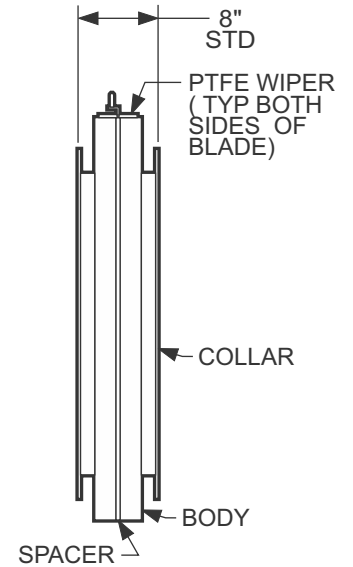
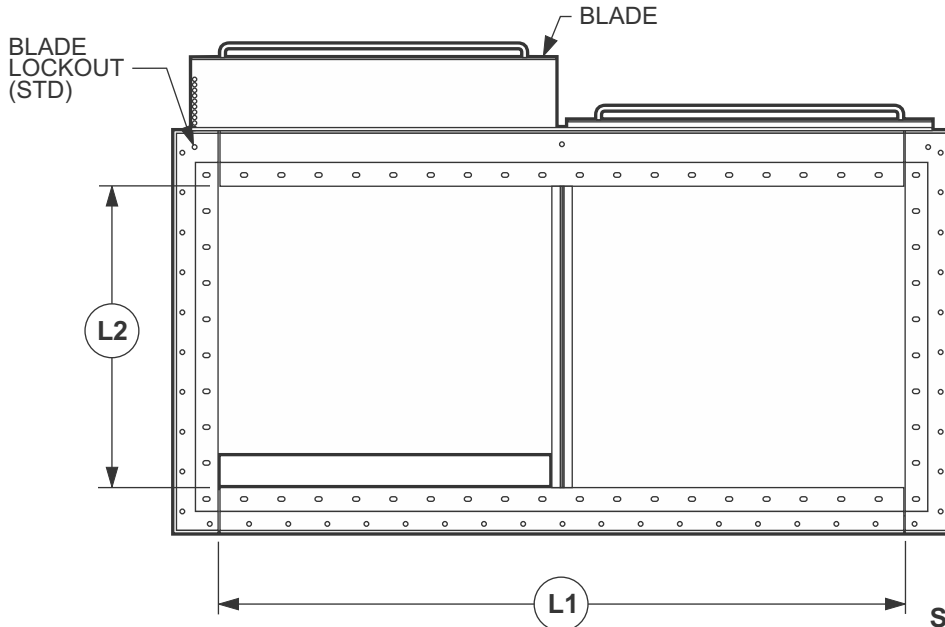
ALL DUCT FITTINGS WITH STANDARD FAB-TECH CONNECTIONS INCLUDE GASKETS AND CLAMPS OR HARDWARE AS REQUIRED FOR INSTALLATION.

REMARKS:



**COMPANY/
JOB REFERENCE**

Horizontal Blastgate



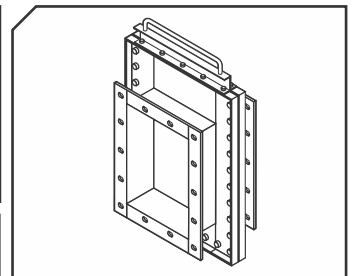
SPECIFICATIONS

- ▷ STAINLESS STEEL BODY, RINGS AND BLADES
- ▷ BLADE LOCKOUT SYSTEM

FITTING NUMBER	QTY	- L1 - WIDTH	- L2 - DEPTH	REMARKS

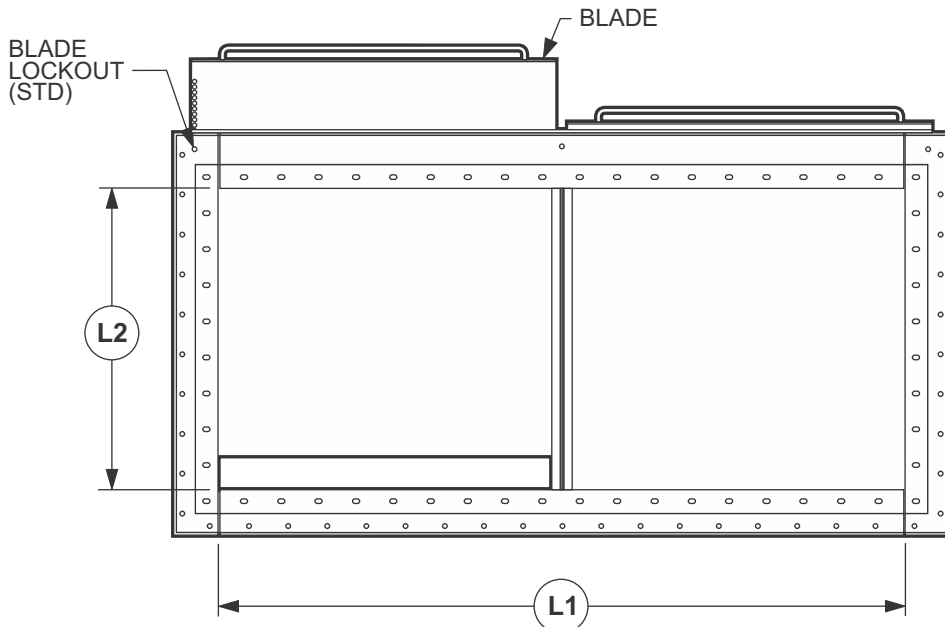
ALL DUCT FITTINGS WITH STANDARD FAB-TECH CONNECTIONS INCLUDE GASKETS AND CLAMPS OR HARDWARE AS REQUIRED FOR INSTALLATION.

REMARKS:

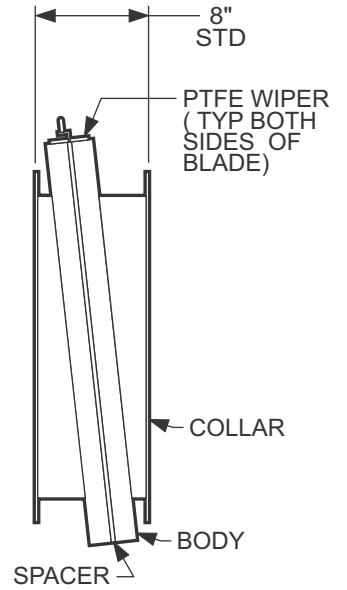


COMPANY/ JOB REFERENCE

Vertical Blastgate



CENTER SUPPORT REQUIRED FOR BLADES LONGER THAN 36" ("L1")



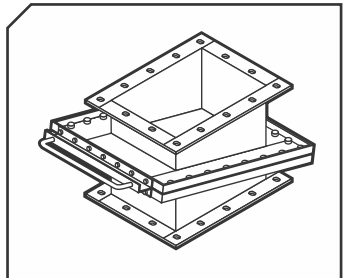
SPECIFICATIONS

- ▷ STAINLESS STEEL BODY, RINGS AND BLADES
- ▷ BLADE LOCKOUT SYSTEM

FITTING NUMBER	QTY	- L1 - WIDTH	- L2 - DEPTH	REMARKS

ALL DUCT FITTINGS WITH STANDARD FAB-TECH CONNECTIONS INCLUDE GASKETS AND CLAMPS OR HARDWARE AS REQUIRED FOR INSTALLATION.

REMARKS:



COMPANY/ JOB REFERENCE